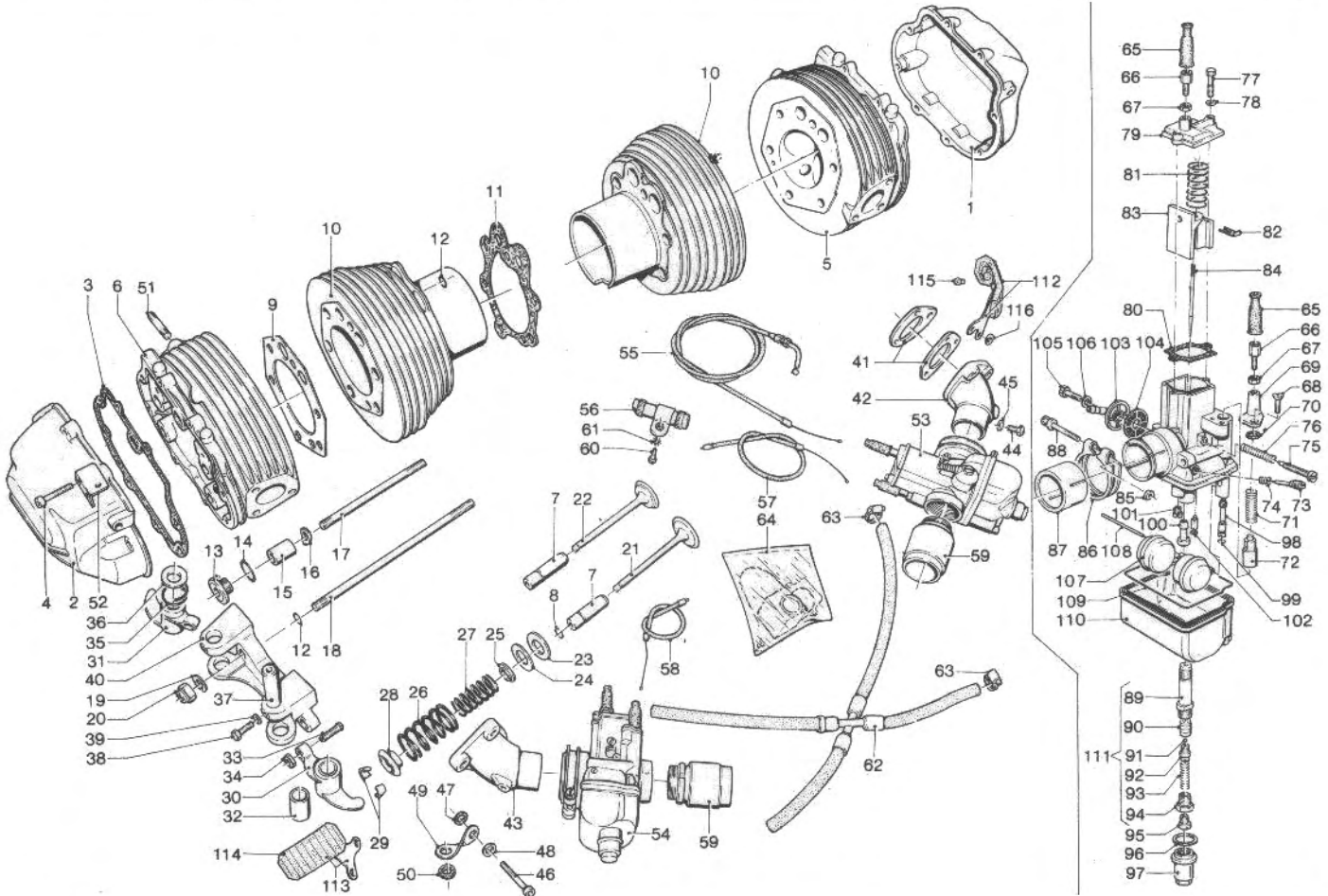


INDICE NUMERICO

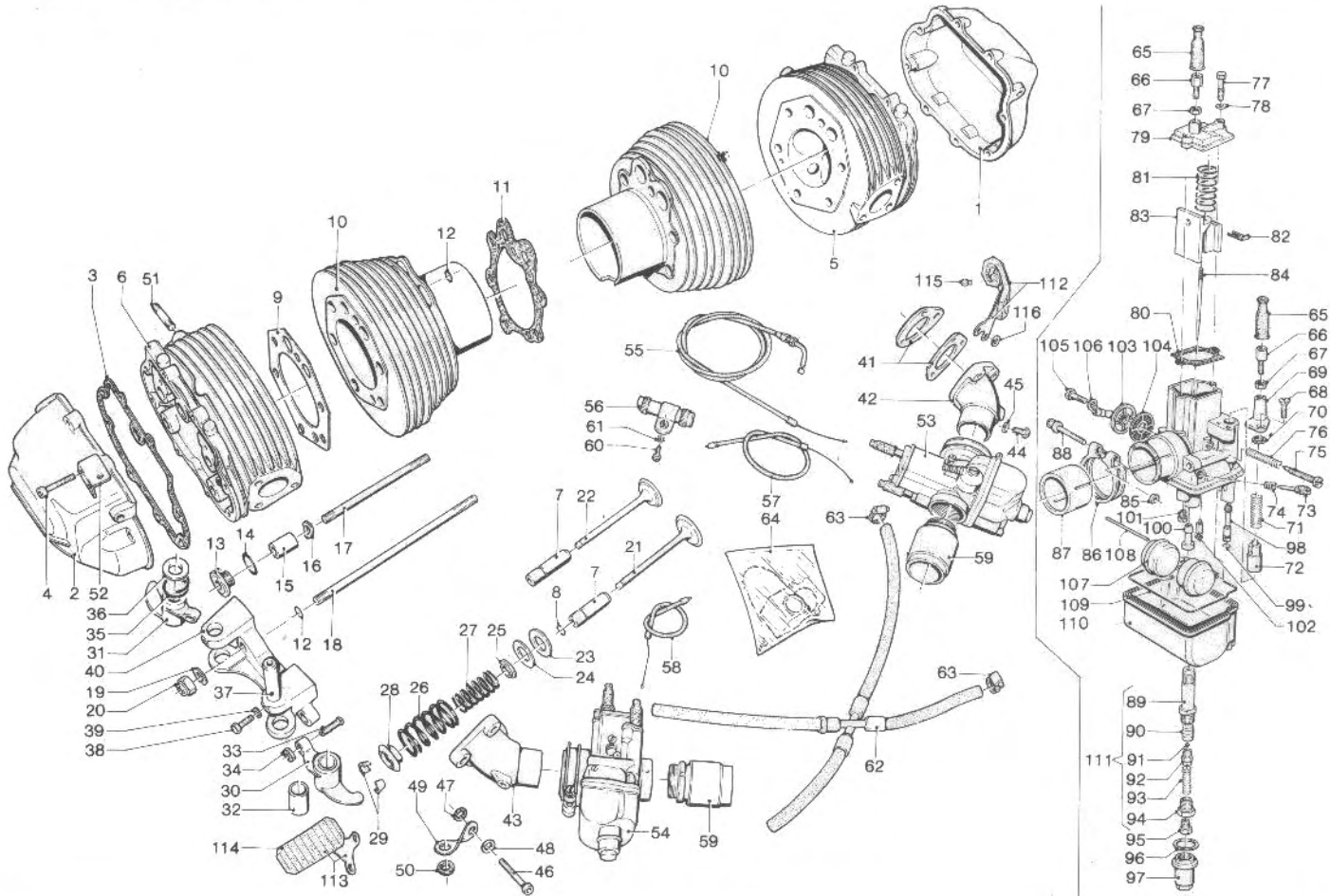
Codice	N. Tav.	N. Pos.	Codice	N. Tav.	N. Pos.	Codice	N. Tav.	N. Pos.	Codice	N. Tav.	N. Pos.	Codice	N. Tav.	N. Pos.
10.04.56.CC	4	27	12.73.51.CC	16	71	14.10.90.CC	10	11	14.53.02.C1	13	48	17.11.41.5C	2	C9
10.04.56.C1	4	27	12.76.04.CC	14	10	14.11.50.C2	1	42	14.53.08.CC	13	49	17.11.42.5C	2	C1
10.04.56.C2	4	27	12.76.32.CC	14	11	14.11.50.C3	1	43	14.54.70.C1	5	06	17.11.44.5C	1	55
10.15.87.C1	5	15	12.78.27.CC	10	C4	14.11.54.CC	1	45	14.54.78.CC	5	C4	17.11.45.5C	2	C4
10.47.46.CC	20	35	12.93.72.CC	1	66	14.11.54.CC	2	24	14.60.56.5C	16	C2	17.11.46.5C	2	C0
10.48.82.CC	12	21	12.93.73.CC	1	67	14.11.55.CC	1	41	14.60.57.5C	14	31	17.12.35.5C	2	43
10.50.22.5C	14	17	13.02.15.CC	1	15	14.12.09.C1	2	36	14.60.96.5C	10	12	17.13.31.5C	1	56
10.52.85.CC	9	24	13.03.60.CC	1	21	14.12.09.C2	2	37	14.60.96.5C	20	54	17.13.35.5C	1	57
10.52.85.CC	7	26	13.03.61.CC	1	22	14.12.10.CC	2	40	14.60.96.5C	18	48	17.13.40.5C	1	58
10.52.85.CC	13	32	13.03.68.C1	1	C7	14.12.12.CC	2	35	14.61.15.C1	17	C4	17.13.56.6C	1	52
10.53.59.CC	1	C1	13.03.70.CC	1	25	14.12.25.C1	2	45	14.61.15.C1	15	C3	17.15.05.51	2	35
12.00.12.CC	3	16	13.03.72.CC	1	23	14.12.34.CC	2	46	14.61.32.C1	15	C9	17.15.48.5C	2	15
12.00.37.C2	3	24	13.03.74.CC	1	26	14.12.69.CC	2	44	14.61.33.C2	15	11	17.15.49.5C	2	16
12.00.37.C2	9	21	13.03.76.CC	1	27	14.15.22.CC	5	10	14.61.41.C2	15	C7	17.15.57.5C	2	C3
12.00.37.C2	7	23	13.05.45.C2	4	32	14.15.30.CC	5	13	14.61.52.C1	15	14	17.15.96.5C	2	19
12.00.35.CC	3	C2	13.05.80.CC	4	36	14.15.36.C1	2	33	14.61.59.C1	5	15	17.25.20.5C	8	64
12.00.64.CC	2	32	13.05.82.CC	4	37	14.15.82.CC	5	14	14.61.59.C1	2	41	17.25.27.5C	8	66
12.00.64.CC	5	23	13.06.12.6C	4	22	14.15.88.CC	5	21	14.61.59.C1	4	C8	17.32.8C.5C	9	12
12.00.65.CC	2	30	13.08.41.CC	6	C1	14.20.02.11	7	C1	14.61.63.C1	15	16	17.33.59.5C	17	15
12.00.66.CC	2	31	13.14.64.C2	5	C1	14.20.08.11	7	11	14.62.03.C1	17	21	17.35.02.5C	9	16
12.00.72.CC	2	25	13.14.77.C1	5	C6	14.20.11.1C	7	10	14.62.03.C2	15	13	17.35.03.CC	9	17
12.00.76.CC	2	26	13.14.78.CC	5	C3	14.21.05.13	8	14	14.63.44.CC	17	C6	17.35.04.CC	9	41
12.01.14.CC	3	30	13.14.82.CC	5	C4	14.21.07.C2	6	C5	14.65.22.CC	18	57	17.35.07.CC	9	42
12.01.14.C1	3	30	13.14.84.CC	5	02	14.21.11.C1	6	C8	14.65.27.CC	16	73	17.35.14.CC	9	46
12.01.14.C2	3	30	13.21.15.CC	6	10	14.21.12.C1	6	C5	14.65.30.C1	16	42	17.35.46.5C	9	47
12.01.14.C3	3	30	13.43.26.4C	10	24	14.21.16.CC	6	11	14.65.30.C1	16	22	17.35.54.CC	9	43
12.01.17.CC	3	31	13.43.34.4C	10	25	14.21.20.C12	6	17	14.65.46.C1	16	24	17.35.54.C2	9	43
12.01.18.CC	3	29	13.76.06.43	14	14	14.21.22.C1	6	21	14.65.46.C1	16	64	17.35.54.C4	9	43
12.01.22.CC	3	10	13.76.21.43	14	15	14.21.30.C1	8	34	14.65.46.5C	18	75	17.35.54.C6	9	43
12.01.65.CC	3	C7	13.76.82.CC	20	69	14.21.36.12	6	23	14.65.47.CC	18	65	17.35.54.C8	9	43
12.02.17.CC	1	16	13.93.28.CC	1	77	14.21.38.C3	7	C4	14.65.47.CC	16	23	17.35.54.1C	9	43
12.02.18.CC	1	17	13.93.29.CC	1	78	14.21.42.1C	6	40	14.65.49.CC	16	35	17.40.01.5C	10	C1
12.02.26.CC	1	13	13.93.31.CC	1	C8	14.21.45.1C	6	35	14.65.49.CC	18	74	17.42.40.5C	10	90
12.02.37.CC	1	C3	13.93.37.CC	1	57	14.21.48.1C	6	33	14.65.90.CC	16	69	17.42.48.5C	10	68
12.03.18.CC	1	37	13.93.44.CC	1	10	14.21.51.1C	6	27	14.65.90.CC	16	C6	17.43.44.5C	11	42
12.03.48.CC	1	40	13.93.46.CC	1	C3	14.21.52.13	6	35	14.65.91.CC	16	05	17.43.46.5C	11	43
12.03.81.CC	1	29	13.93.48.CC	1	C2	14.21.54.CC	6	26	14.65.91.CC	18	68	17.43.50.6C	11	44
12.05.40.CC	4	25	13.93.49.CC	1	C5	14.21.73.CC	6	38	14.65.92.CC	18	67	17.43.67.5C	11	32
12.06.20.C5	4	17	13.93.50.CC	1	79	14.21.74.1C	6	24	14.65.92.CC	16	34	17.45.17.5C	10	84
12.06.20.C6	4	17	13.93.55.CC	1	C0	14.21.75.C1	7	C6	14.65.94.5C	18	22	17.46.27.5C	11	17
12.06.20.C7	4	17	13.93.60.CC	1	98	14.21.80.11	8	32	14.70.42.C5	15	36	17.47.85.5C	10	76
12.06.20.C8	4	17	13.93.62.CC	1	73	14.21.84.C1	8	C7	14.70.45.C5	15	42	17.47.96.5C	10	31
12.06.54.CC	4	C2	13.93.63.CC	1	74	14.21.93.1C	6	36	14.70.48.CC	15	44	17.47.97.5C	10	32
12.06.77.C1	4	C9	13.93.66.CC	1	75	14.21.94.C1	6	13	14.70.55.CC	15	45	17.49.27.CC	13	19
12.08.23.CC	6	C4	13.93.67.CC	1	76	14.23.05.C1	6	46	14.70.70.CC	15	43	17.49.31.CC	13	10
12.08.28.CC	6	C5	13.93.71.CC	1	61	14.23.07.11	6	41	14.71.54.20	15	55	17.49.61.CC	13	20
12.08.29.C1	6	C2	13.93.76.CC	1	71	14.23.10.C12	6	30	14.71.57.CC	15	63	17.49.62.CC	13	21
12.08.70.C1	6	C5	13.93.78.CC	1	72	14.23.12.C1	6	49	14.71.62.CC	15	62	17.50.02.CC	13	C9
12.10.84.CC	2	17	13.93.79.CC	1	68	14.23.15.1C	6	22	14.71.64.CC	15	60	17.61.02.4C	15	
12.15.07.CC	5	16	14.00.14.CC	3	15	14.23.24.CC	6	47	14.71.65.CC	15	10	17.61.03.4C	15	C1
12.15.09.CC	5	16	14.00.35.CC	3	22	14.23.25.12	6	31	14.71.74.CC	15	C8	17.61.08.4C	15	C2
12.15.42.CC	2	21	14.00.36.CC	3	21	14.23.43.CC	6	45	14.71.76.CC	15	C7	17.61.14.5C	15	10
12.15.78.CC	2	16	14.00.38.CC	3	23	14.23.44.C5	6	42	14.71.98.CC	19	69	17.63.06.4C	17	C1
12.15.90.CC	5	15	14.01.19.CC	3	C9	14.23.46.CC	6	46	14.73.05.5C	15	54	17.63.07.4C	17	C2
12.20.72.CC	7	16	14.01.19.C1	3	C9	14.23.55.CC	6	43	14.73.05.7C	15	55	17.63.10.5C	17	C3
12.20.77.CC	7	15	14.01.19.C2	3	C9	14.23.62.C2	6	50	14.73.07.06	15	53	17.63.30.5C	17	10
12.21.17.CC	6	12	14.01.19.C3	3	C9	14.23.78.CC	7	14	14.74.37.CC	20	14	17.63.33.5C	17	C8
12.23.52.C1	7	27	14.01.84.C0	1	19	14.23.82.C1	6	51	14.74.37.01	20	14	17.63.35.5C	17	25
12.23.54.CC	7	28	14.02.08.5C	1	11	14.25.10.C1	6	62	14.74.77.CC	15	11	17.63.40.5C	17	23
12.32.63.CC	9	28	14.02.21.C1	1	C5	14.33.52.C3	17	17	14.74.84.CC	15	47	17.63.41.5C	17	07
12.32.77.CC	9	25	14.02.22.C1	1	C6	14.33.53.C3	17	16	14.75.37.5C	20	C6	17.63.60.5C	17	15
12.35.11.CC	9	26	14.02.35.5C	1	C2	14.33.68.C3	17	18	14.76.25.1C	14	26	17.65.68.5C	16	11
12.35.52.C2	9	36	14.02.36.5C	1	01	14.41.82.CC	10	33	14.76.61.1C	14	12	17.65.75.5C	16	15
12.35.52.C3	9	36	14.03.02.CC	1	30	14.42.95.C5	10	57	14.76.86.51	14	04	17.65.75.5C	18	37
12.35.53.C1	9	37	14.03.04.CC	1	31	14.42.96.CC	10	58	14.76.92.CC	14	22	17.65.80.5C	16	21
12.35.53.C2	9	37	14.03.73.CC	1	24	14.42.98.CC	10	61	14.91.73.CC	11	C3	17.65.85.5C	18	31
12.35.53.C3	9	37	14.03.80.CC	1	28	14.42.99.CC	10	60	14.93.30.CC	1	C7	17.65.85.5C	16	08
12.35.63.CC	9	48	14.05.33.C1	4	28	14.43.29.CC	10	37	14.93.68.CC	1	85	17.65.86.5C	18	41
12.35.64.CC	9	45	14.06.15.5C	4	13	14.43.32.CC	10	36	14.93.75.C1	1	83	17.65.87.5C	18	46
12.35.67.CC	9	31	14.06.22.C1	4	16	14.43.34.CC	10	42	14.93.77.01	1	84	17.65.88.5C	18	54
12.43.30.CC	10	25	14.07.20.C1	4	C4	14.43.34.CC	4	34	14.93.86.CC	1	88	17.65.89.5C	18	56
12.54.72.CC	9	05	14.08.18.11	6	C2	14.43.35.CC	10	35	14.93.87.CC	1	86	17.65.93.52	18	66
12.54.82.C1	9	11	14.08.44.5C	6	C3	14.43.40.CC	10	28	14.93.88.CC	1	11	17.65.93.52	16	33
12.54.84.C1	9	10	14.08.57.CC	6	C6	14.44.13.5C	10	83	14.93.89.CC	1	87	17.65.94.5C	16	C4
12.55.52.C1	9	15	14.08.59.CC	6	C7	14.44.32.CC	10	48	17.00.49.51	3	28	17.65.96.5C	18	47
12.61.61.C1	15	04	14.08.60.CC	6	C8	14.46.14.CC	11	16	17.00.62.5C	2	29	17.65.97.5C	18	50
12.61.61.C2	17	26	14.08.61.CC	6	10	14.49.46.CC	13	14	17.03.40.5C	1	33	17.66.02.52	16	01
12.61.61.C2	15	C4	14.09.02.C2	6	12	14.49.85.5C	10	88	17.04.50.5C	4	26	17.66.11.52	16	31
12.61.61.C3	15	C4	14.09.04.CC	6	14	14.50.45.C2	13	02	17.06.70.5C	4	C7	17.66.13.52	16	32
12.61.61.C3	17	26	14.10.26.CC	11	15	14.51.67.CC	13	16	17.06.79.CC	4	10	17.66.75.5C	18	25
12.62.68.CC	8	55	14.10.34.CC	10	C9	14.51.70.CC	13	17	17.09.38.5C	6	19	17.66.76.5C	18	26
12.70.85.41	20	15	14.10.38.CC	11	19	14.52.45.CC	13	41	17.10.54.6C	11	06	17.66.76.5C	2	C5
12.71.76.CC	5	24	14.10.51.CC	11	C2	14.52.54.C1								

INDICE NUMERICO

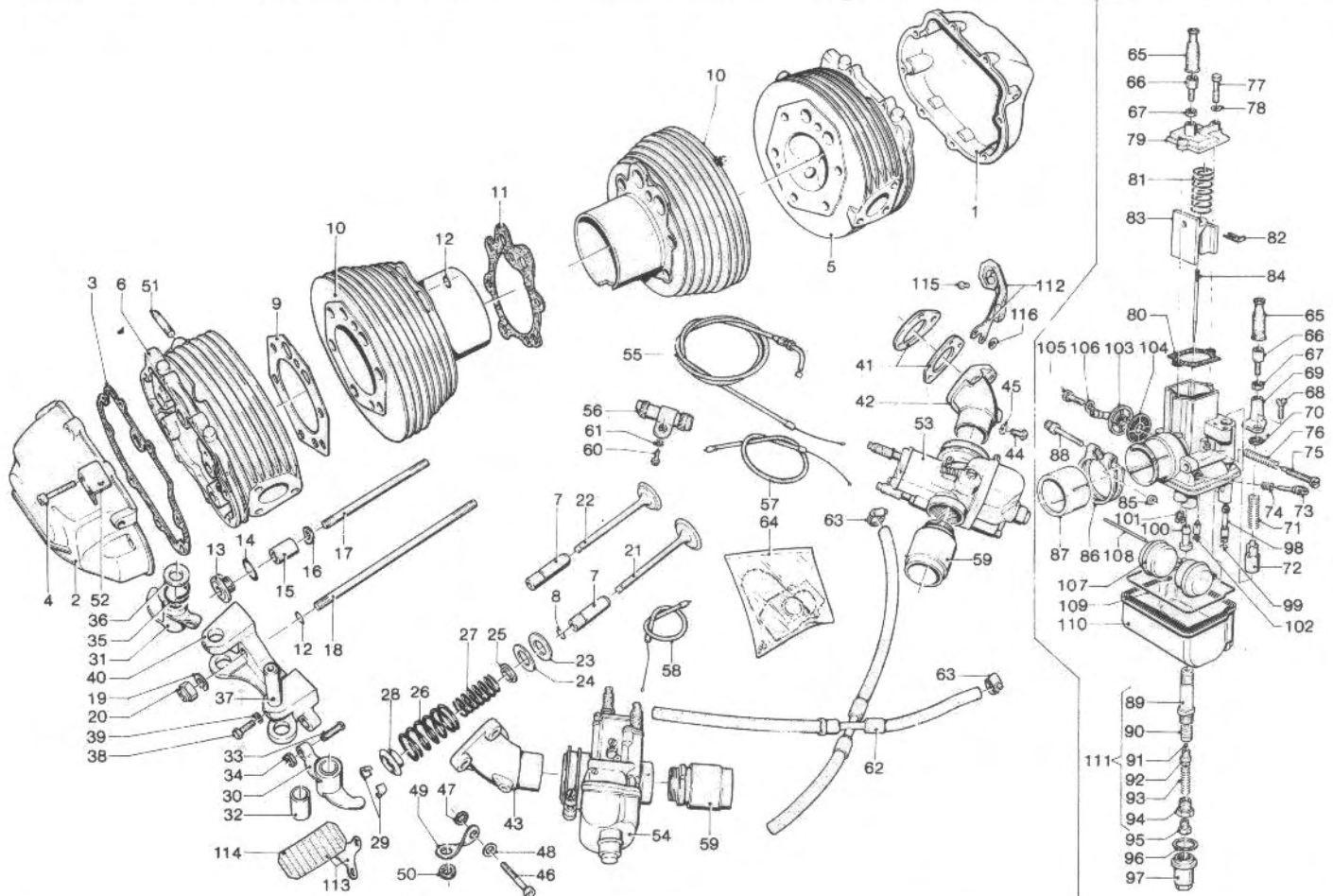
Codice	N. Tav.	N. Pos.	Codice	N. Tav.	N. Pos.	Codice	N. Tav.	N. Pos.	Codice	N. Tav.	N. Pos.	Codice	N. Tav.	N. Pos.
17.70.99.50	10	78	18.06.07.52	4	19	18.55.02.60	13	42	55.23.50.00	8	44	92.25.62.16	7	03
17.71.54.50	19	58	18.06.09.50	4	20	18.55.16.50	13	55	55.23.50.01	8	44	92.25.85.25	8	16
17.71.68.50	19	21	18.06.09.51	4	20	18.55.23.60	13	43	55.23.50.02	8	44	92.25.90.17	8	28
17.71.70.50	19	09	18.06.09.52	4	20	18.57.72.51	12	06	55.23.50.03	8	44	92.29.57.02	8	37
17.71.84.50	19	06	18.06.10.50	4	21	18.57.84.51	12	14	55.93.85.65	1	82	92.29.67.50	8	18
17.71.99.00	19	04	18.06.10.51	4	21	18.60.03.60	14	01	61.01.38.00	8	56	92.60.12.08	12	17
17.74.03.02	20	79	18.06.10.52	4	21	18.60.34.61	14	21	61.10.84.00	1	63	92.60.20.10	1	20
17.74.03.08	20	89	18.06.42.01	4	01	18.63.02.60	17		61.10.85.00	2	23	92.60.22.05	2	11
17.74.03.09	20	84	18.09.30.60	6	18	18.63.57.60	17	12	61.27.03.00	5	39	92.60.22.05	19	39
17.74.03.10	20	86	18.10.02.02	11	01	18.63.58.60	18	45	61.27.03.00	4	40	92.60.22.06	10	81
17.74.03.27	20	90	18.10.02.03	11	01	18.65.97.50	18	45	61.27.03.00	3	12	92.60.22.06	15	20
17.74.03.50	20	80	18.10.30.50	20	11	18.66.70.50	18	29	61.27.03.00	11	21	92.60.22.06	10	67
17.74.03.51	20	81	18.10.31.50	20	13	18.66.74.50	18	30	61.71.25.00	15	70	92.60.22.06	16	20
17.74.03.52	20	82	18.10.39.01	11	05	18.67.50.60	18	16	61.71.26.00	19	71	92.60.22.06	18	06
17.74.04.01	20	87	18.10.50.01	11	46	18.67.51.60	18	17	62.43.65.00	18	38	92.60.22.06	20	36
17.74.04.04	20	88	18.11.26.50	1	53	18.67.59.60	18	01	62.43.65.00	16	16	92.60.22.06	12	24
17.74.04.05	20	85	18.11.26.51	1	54	18.71.24.50	19	01	62.74.29.00	20	93	92.60.22.06	2	14
17.74.04.55	20	03	18.11.75.60	1	55	18.71.70.50	19	09	63.65.70.00	18	35	92.60.22.06	8	60
17.74.04.60	20	78	18.21.10.50	8	15	18.72.01.50	20	00	63.65.70.00	16	14	92.60.22.06	10	22
17.74.04.61	20	83	18.21.10.51	8	15	18.73.64.01	19	31	65.60.30.00	14	25	92.60.22.08	3	06
17.74.25.50	20	18	18.21.10.52	8	15	18.73.68.01	19	30	65.60.35.00	14	20	92.60.22.08	10	50
17.74.30.00	20	16	18.21.10.54	8	15	18.73.80.61	14	27	90.11.81.52	1	36	92.60.22.08	19	26
17.74.31.00	20	17	18.25.08.01	8	63	18.74.04.58	20	02	90.27.10.14	13	25	92.60.22.08	11	47
17.74.57.60	14	08	18.25.20.50	18	02	18.74.05.50	20	01	90.27.10.20	9	30	92.60.22.08	18	28
17.74.71.50	20	52	18.25.23.60	8	67	18.74.09.50	20	26	90.27.20.47	17	20	92.60.22.08	20	96
17.74.73.50	20	68	18.25.78.01	8	61	18.74.17.50	20	30	90.27.20.47	15	15	92.60.22.10	13	37
17.74.74.50	19	05	18.25.81.01	8	69	18.74.52.50	20	29	90.27.20.62	5	13	92.60.22.10	16	29
17.74.75.50	18	70	18.25.82.01	8	54	18.74.72.01	20	91	90.35.10.37	4	23	92.60.22.10	18	62
17.74.78.50	19	41	18.25.91.51	18	09	18.74.76.50	20	56	90.35.30.16	1	08	92.60.23.08	5	07
17.74.79.50	19	48	18.35.24.00	5	33	18.75.06.54	20	06	90.40.28.35	3	17	92.60.23.12	10	55
17.74.80.50	20	55	18.35.51.00	5	35	18.75.06.55	20	07	90.40.30.40	5	07	92.60.23.16	15	05
17.74.85.00	19	40	18.42.03.60	10	45	18.75.16.50	20	48	90.40.35.47	7	31	92.60.23.16	17	05
17.74.88.50	20	73	18.42.21.60	10	46	18.75.16.51	20	49	90.40.35.47	13	40	92.60.24.11	20	50
17.74.89.50	20	74	18.42.35.50	10	82	18.75.35.51	20	35	90.40.35.48	7	02	92.60.25.06	1	34
17.75.04.00	10	80	18.43.03.60	10	35	18.75.37.50	20	27	90.40.38.50	9	25	92.60.25.08	6	15
17.75.05.20	20	24	18.43.20.60	10	23	18.75.54.51	20	60	90.40.53.67	3	32	92.60.25.12	10	56
17.75.12.00	20	23	18.43.24.50	10	26	18.75.69.50	20	53	90.40.70.85	9	45	92.60.25.12	7	15
17.75.31.40	20	51	18.43.27.60	10	85	18.75.65.51	20	25	90.70.60.50	1	12	92.60.25.18	4	35
17.75.53.00	20	99	18.43.28.51	10	27	18.75.91.50	18	72	90.70.61.40	7	12	92.60.32.06	18	04
17.75.56.40	20	59	18.43.40.60	10	38	18.75.92.50	20	58	90.70.61.70	6	11	92.60.32.08	12	05
17.75.57.00	20	54	18.43.70.50	11	38	18.75.93.50	18	63	90.70.62.03	1	14	92.60.32.08	2	42
17.75.57.00	14	29	18.44.03.60	10	47	18.75.94.50	20	22	90.70.62.03	8	06	92.60.32.10	13	46
17.75.58.00	14	24	18.44.54.60	10	03	18.75.95.50	20	57	90.70.62.19	8	68	92.63.01.05	20	43
17.75.60.00	20	71	18.44.94.56	10	14	18.75.96.50	18	23	90.70.62.35	6	04	92.63.01.05	20	21
17.75.61.00	20	72	18.44.94.57	10	14	18.75.97.50	20	66	90.70.62.38	13	03	92.63.01.06	11	27
17.75.72.40	20	61	18.44.96.56	10	15	18.75.98.50	20	67	90.70.64.50	17	24	92.63.01.06	19	18
17.75.74.40	20	64	18.44.96.57	10	15	18.76.14.01	20	92	90.70.65.84	9	34	92.63.01.06	18	53
17.75.76.40	20	62	18.44.97.55	10	65	18.76.15.00	14	09	90.71.41.03	11	08	92.63.01.06	13	23
17.75.77.40	20	63	18.44.98.55	10	86	18.76.52.01	14	03	90.71.42.87	20	12	92.63.01.06	10	72
17.75.78.40	20	65	18.45.02.50	10	13	18.76.62.01	14	28	90.71.60.83	1	47	92.63.01.06	20	33
17.76.22.00	14	13	18.45.82.51	12	01	18.76.65.01	14	35	90.71.61.42	18	39	92.63.01.06	8	70
17.76.87.50	5	22	18.45.88.51	12	02	18.76.68.50	14	06	90.71.61.42	16	17	92.63.01.06	19	56
17.92.50.50	11	12	18.46.05.50	11	16	18.76.72.01	14	23	90.71.83.70	2	38	92.63.01.08	11	22
17.92.51.50	11	12	18.46.23.50	11	24	18.76.91.01	14	02	91.11.15.11	1	32	92.63.01.10	10	44
17.92.99.00	19	67	18.46.43.50	11	23	18.90.00.00	19	68	91.11.21.24	4	14	92.63.02.06	18	24
17.93.74.50	1	69	18.47.26.51	11	28	18.90.00.01	19	68	91.18.07.18	19	15	92.63.05.08	17	09
17.93.89.00	1	89	18.47.26.52	11	28	18.92.20.01	11	11	91.18.08.10	10	08	92.63.05.06	15	08
17.93.90.00	1	90	18.47.62.02	11	10	18.92.33.01	11	04	91.18.08.16	11	41	92.69.00.73	16	19
17.93.91.00	1	91	18.47.62.03	11	10	18.92.33.02	11	04	91.18.09.07	19	66	92.69.11.20	8	65
17.93.92.00	1	92	18.47.63.02	11	09	18.93.57.50	1	55	91.18.09.11	12	12	92.73.10.90	4	15
17.93.93.00	1	93	18.47.63.03	11	09	18.94.10.50	1	12	91.18.09.12	13	05	92.78.10.81	5	20
17.93.94.00	1	94	18.48.25.57	12	18	18.94.14.50	1	13	91.18.09.15	4	38	93.11.00.60	19	14
17.93.99.50	1	64	18.48.40.60	12	34	18.94.17.50	1	14	91.18.13.09	10	59	93.11.00.60	11	34
17.99.95.50	3	34	18.48.50.40	12	25	18.94.18.50	1	16	91.18.13.46	10	53	93.11.00.60	12	22
18.00.07.50	3	01	18.48.65.40	12	26	18.95.10.01	3		91.55.10.61	1	50	93.11.00.60	20	45
18.00.11.50	3	13	18.48.77.40	12	27	18.99.14.01	3		91.55.10.81	2	49	93.18.00.80	10	05
18.00.16.50	3	20	18.48.87.40	12	28	18.99.90.50	3	33	91.55.10.82	11	14	93.18.00.80	1	15
18.02.02.50	1	10	18.48.88.60	12	32	19.10.47.51	11	46	91.55.11.02	20	32	93.18.02.20	7	22
18.02.20.50	1	09	18.48.89.60	12	33	19.10.49.50	11	51	91.55.11.20	18	51	93.18.02.20	19	46
18.06.02.50	4	24	18.49.02.60	13	01	19.10.51.50	11	50	91.55.11.65	14	32	93.30.11.75	10	71
18.06.02.60	4	24	18.49.40.60	13	18	19.60.55.01	14	30	91.70.23.55	4	03	93.30.13.13	10	75
18.06.03.50	4	24	18.50.07.51	13	08	19.70.71.00	19	50	91.85.73.10	11	49	93.30.13.13	11	37
18.06.03.51	4	24	18.50.68.51	12	07	19.73.33.50	19	34	92.20.10.70	5	44	93.40.08.63	20	76
18.06.03.60	4	24	18.50.69.51	12	08	19.73.53.00	19	32	92.20.14.17	7	13	93.40.09.62	20	75
18.06.03.61	4	24	18.51.34.60	13	13	19.76.81.00	14	34	92.20.42.20	15	12	93.40.09.63	20	77
18.06.04.50	4	18	18.51.35.60	13	12	25.65.61.00	16	33	92.20.42.20	17	22	93.45.01.19	20	05
18.06.04.60	4	18	18.51.66.60	13	04	25.65.61.00	16	10	92.20.42.30	5	14	93.45.01.23	20	31
18.06.05.50	4	18	18.52.25.60	13	34	25.70.67.00	19	49	92.21.84.24	7	07	93.45.01.25	20	09
18.06.05.51	4	18	18.52.26.60	13	35	25.71.70.25	19	09	92.23.47.17	7	08	93.45.01.40	14	05
18.06.05.60	4	18	18.52.64.60	13										



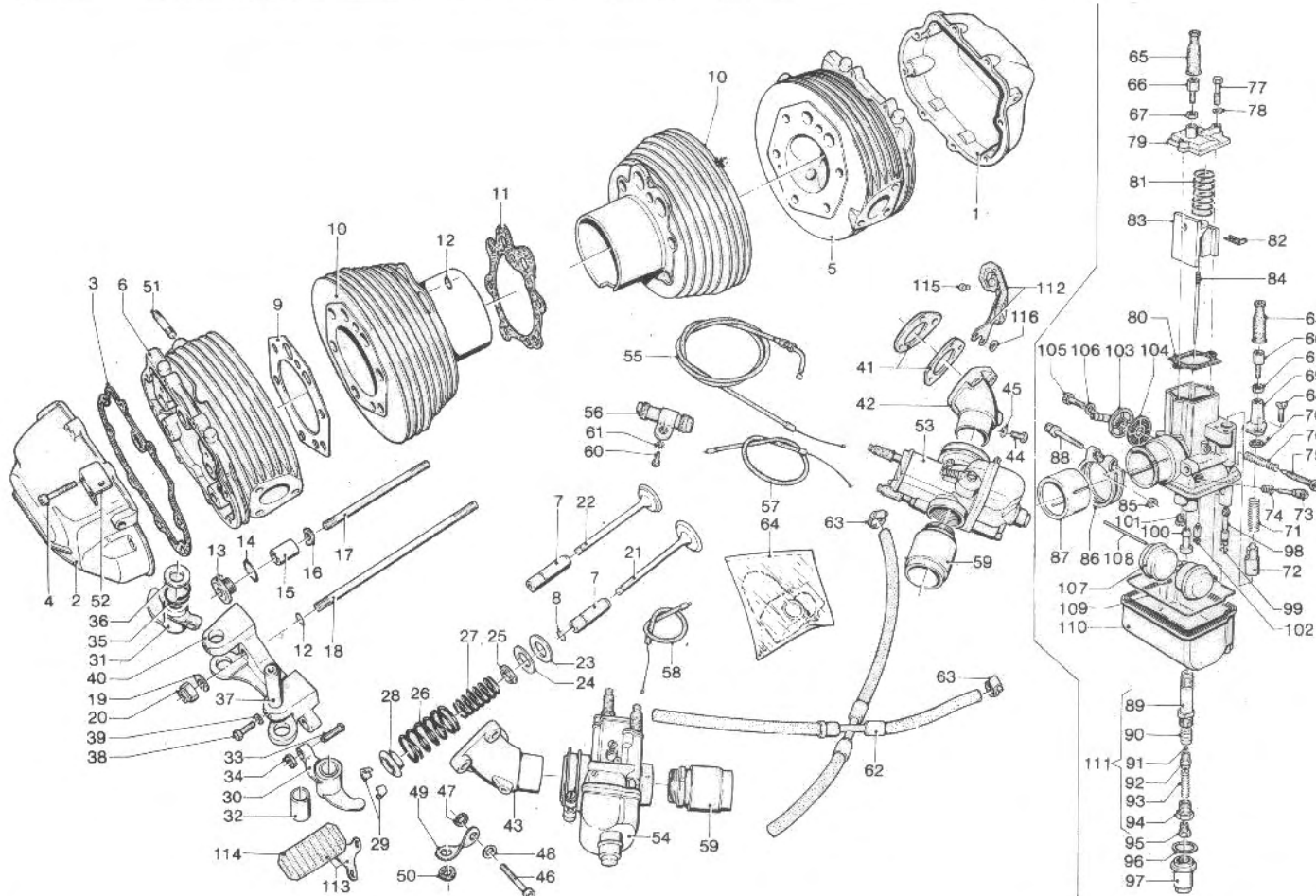
NOTE NOTES NOTES MARKE	POS. N.	N. COD. CODE No. No. CODE CODE Nr.	Q.tà Q.ty Q.té M.ge	DENOMINAZIONE	DESCRIPTION	DESIGNATION	BEZEICHNUNG
	1	14 02 36 50	1	Coperchio testa dx.	R.H. head cover	Couvercle culasse D	Zylinderkopfdeck. R.
	2	14 02 35 50	1	Coperchio testa sx.	L.H. head cover	Couvercle culasse G	Zylinderkopfdeck. L.
	3	12 02 37 00	2	Guarnizione	Gasket	Joint	Dichtung
	4	98 62 03 25	16	Vite coperchio teste	Screw	Vis	Schraube
	5	14 02 21 01	1	Testa dx.	R.H. head	Culasse D	Zylinderkopf. R.
	6	14 02 22 01	1	Testa sx.	L.H. head	Culasse G	Zylinderkopf. L.
	7	13 03 68 01	4	Guida valv. asp. e scar.	Valve guide	Guide de soupape	Ventilführung
	8	90 35 30 16	4	Anello elastico	Circlip	Jonc élastique	Sprengling
	9	18 02 20 50	2	Guarnizione	Gasket	Joint	Dichtung
	10	18 02 02 50	2	Cilindro	Cylinder	Cylindre	Zylinder
	11	14 02 08 50	2	Guarnizione	Gasket	Joint	Dichtung
	12	90 70 60 90	12	Anello di tenuta	Seal ring	Bague d'étanchéité	Dichtring
	13	12 02 26 00	2	Tappo testa	Head plug	Bouchon de culasse	Zylinderkopfstopfen
	14	90 70 62 03	2	Anello di tenuta	Seal ring	Bague d'étanchéité	Dichtring
	15	13 02 19 00	2	Dado a colonna	Nut	Ecrou	Mutter
	16	95 12 91 80	2	Rondella elastica	Spring washer	Rondelle élastique	Federring
	17	12 02 18 00	4	Tirante corto	Short tie bar	Tirant court	Kurze Tragstange
	18	12 02 17 00	8	Tirante lungo	Long tie bar	Tirant long	Lange Tragstange
	19	14 01 84 00	10	Rosetta elastica	Spring washer	Rondelle élastique	Federring
	20	92 60 20 10	10	Dado	Nut	Ecrou	Mutter
	21	13 03 60 00	2	Valvola aspirazione	Intake valve	Soupape d'admission	Einlassventil
	22	13 03 61 00	2	Valvola scarico	Exhaust valve	Soupape d'échappem.	Auslassventil
	23	13 03 72 00	4	Rosetta	Washer	Rondelle	Scheibe
	24	14 03 73 00	10	Rosetta di spessore	Flat washer	Rondelle plate	Ring
	25	13 03 70 00	4	Piattello inferiore	Lower cup	Coupelle inférieure	Untere Manschette
	26	13 03 74 00	4	Molla esterna	External spring	Ressort extérieur	Aussenfeder
	27	13 03 76 00	4	Molla interna	Internal spring	Ressort intér.	Innenfeder
	28	14 03 80 00	4	Piattello superiore	Upper cup	Coupelle supérieure	Obere Manschette
	29	12 03 81 00	8	Semicono per valvole	Valve half-cone	Demi-cône de soupape	Ventilhalbkegel
	30	14 03 02 00	2	Bilanciere dx. compl.	R.H. rocker arm, assy	Culbuteur D, complet	Kipphebel R. kpl.
	31	14 03 04 00	2	Bilanciere sx compl.	L.H. rocker arm, assy	Culbuteur G, complet	Kipphebel L. kpl.
	32	91 11 15 11	4	Boccola	Bush	Bague	Buchse
	33	17 03 40 50	4	Vite registro	Adjusting screw	Vis de réglage	Einstellschraube
	34	92 60 25 08	4	Dado	Nut	Ecrou	Mutter
	35	94 32 22 15	4	Molla per bilancieri	Rocker arm spring	Ressort pour culbuteur	Kipphebelfeder
	36	90 11 81 52	4	Rosetta di spessore	Shim	Rondelle d'épaisseur	Pass-Scheibe

1000 G5Tavola - Drawing
Table - Bild**1****TESTA - CILINDRI - CARBURATORI**
HEAD - CYLINDERS - CARBURET.
CULASSE - CYLIND. - CARBURAT.
KOPF - ZYLINDER - VERGASER**SEIMM**
MOTO GUZZI

NOTE NOTES NOTES MARKE	POS. N.	N. COD. CODE No. No. CODE CODE Nr.	Q.tà Q.ty Q.té M.ge	DENOMINAZIONE	DESCRIPTION	DESIGNATION	BEZEICHNUNG
	37	12 03 18 00	4	Perno per bilancieri	Rocker pin	Pivot pour culbuteurs	Lagerbolzen
	38	98 05 43 14	4	Vite	Screw	Vis	Schraube
	39	95 12 00 65	4	Rosetta elastica	Spring washer	Rondelle élastique	Federring
	40	12 03 48 00	2	Supporto bilancieri	Rocker support	Support culbuteurs	Kupplhebelstütze
	41	14 11 55 00	4	Guarnizione isolante	Isolating flange	Flasque isolante	Isolierflansch
	42	14 11 50 02	1	Pipa aspirazione dx	R.H. manifold	Pipe D	Ansaugkrümmer, R.
	43	14 11 50 03	1	Pipa aspirazione sx	L.H. manifold	Pipe G	Ansaugkrümmer, L.
	44	98 34 60 10	2	Vite	Screw	Vis	Schraube
	45	95 10 01 16	2	Rosetta	Washer	Rondelle	Scheibe
	46	98 62 04 35	6	Vite	Screw	Vis	Schraube
	47	90 71 60 83	6	Rosetta isolante	Isolating washer	Rondelle isolante	Isolierscheibe
	48	95 00 42 08	6	Rosetta	Washer	Rondelle	Scheibe
	49	14 11 54 00	2	Piastrina	Bracket	Plaquette	Stütze
	50	91 55 10 81	2	Gommino	Rubber grommet	Douille caoutchouc	Gummi
	51	96 50 80 42	4	Prigioniero	Stud	Goujon	Stiftschraube
	52	17 13 56 60	1	Mensola disp. starter	Bracket	Support	Stütze
	53	18 11 26 50	1	Carburatore dx	R.H. carburetor	Carbureteur D	Vergaser, R.
	54	18 11 26 51	1	Carburatore sx	L.H. carburetor	Carbureteur G	Vergaser, L.
	55	18 11 75 60	2	Trasm. comando gas	Twist-grip cable	Câble comm. gaz	Gasgriffkabel
	56	17 13 31 50	1	Comando starter	Starter device	Commande de starter	Starterbetätigung
	57	17 13 35 50	1	Trasm. starter carb. dx	R.H. carb. starter cable	Câble de starter carb. D	Seilzug für St. Verg. R.
	58	17 13 40 50	1	Trasm. starter carb. sx	L.H. carb. starter cable	Câble de starter carb. G	Seilzug für St. Verg. L.
	59	17 11 44 50	2	Cornetto per carbur.	Air funnel	Buse	Ansaugtrichter
	60	98 05 42 10	1	Vite	Screw	Vis	Schraube
	61	95 02 11 05	1	Rosetta dentellata	Tooth washer	Rondelle dentée	Zahnscheibe
	62	17 10 65 50	1	Tubazione carb. com.	Piping, complete	Canalisation complète	Rohrverbindung, kpl.
	63	61 10 84 00	4	Fascetta	Hose clamp	Collier	Schlauchbinder
	64	17 93 99 50	1	Gruppo revis. carbur.	Carb. overhauling kit	Kit de révis. du carb.	Verg. Reparatursatz
*	65		2	Cappuccio	Cap	Chapeau	Schutzkappe
	66	12 93 72 00	2	Vite tendifilo	Adjusting screw	Vis de réglage	Stellschraube
	67	12 93 73 00	2	Dado	Nut	Ecrou	Mutter
	68	13 93 79 00	1	Vite	Screw	Vis	Schraube
	69	17 93 74 50	1	Coperchio starter	Cover	Couvercle	Deckel
*	70		1	Guarnizione	Gasket	Joint	Dichtung
	71	13 93 76 00	1	Molla	Spring	Ressort	Feder
	72	13 93 78 00	1	Valvola avviamento	Starter valve	Soupape de starter	Starterventil



NOTE NOTES NOTES MARKE	POS. N.	N. COD. CODE No. No. CODE CODE Nr.	Q.tà Q.ty Q.té M.ge	DENOMINAZIONE	DESCRIPTION	DESIGNATION	BEZEICHNUNG
	73	13 93 62 00	1	Vite reg. miscela min.	Idling adjusting screw	Vis régl. de mélange ral.	Gemischregulierschr.
	74	13 93 63 00	1	Molla	Spring	Ressort	Feder
	75	13 93 66 00	1	Vite reg. valvola gas	Throttle adjust. screw	Vis réglage de papillon	Drosselklappe
	76	13 93 67 00	1	Molla	Spring	Ressort	Feder
	77	13 93 28 00	2	Vite	Screw	Vis	Schraube
	78	13 93 29 00	2	Rondella elastica	Spring washer	Rondelle élastique	Federring
	79	13 93 50 00	1	Coperchio valvola gas	Cover	Couvercle	Deckel
*	80	13 93 50 00	1	Guarnizione	Gasket	Joint	Dichtung
	81	13 93 71 00	1	Molla	Spring	Ressort	Feder
	82	55 93 85 85	1	Fermaglio spillo con.	Circlip	Support	Halter
	83	14 93 75 01	1	Valvola gas	Throttle valve	Papillon de gaz	Drosselklappe
	84	14 93 77 01	1	Spillo conico tipo V	Needle	Aiguille	Nadel
	85	14 93 68 00	1	Piastrina	Threaded plate	Plaque filetée	Gewindeplättchen
	86	14 93 87 00	1	Anello serraggio	Ring	Bague	Ring
	87	14 93 89 00	1	Riduzione isolante	Insulating bush	Réduction isolante	Isolieruntersetzung
	88	14 93 86 00	1	Vite	Screw	Vis	Schraube
	89	17 93 89 00	1	Corpo pompa	Pump body	Corps de pompe	Pumpengehäuse
	90	17 93 90 00	1	Pistoncino pompa	Pump plunger	Plongeur de pompe	Pumpenkolben
	91	17 93 91 00	1	Valvola a sfera	Ball valve	Clapet à bille	Kugelventil
	92	17 93 92 00	1	Sede valvola	Valve seat	Siège de soupape	Ventilsitz
	93	17 93 93 00	1	Molla	Spring	Ressort	Feder
	94	17 93 94 00	1	Tappo getto	Jet holder	Porte gicleur	Düsenrträger
	95	18 93 57 50	1	Getto massimo	Main jet	Gicleur principal	Hauptdüse
*	96	18 93 57 50	1	Guarnizione	Gasket	Joint	Dichtung
	97	13 93 37 00	1	Tappo per vaschetta	Plug	Bouchon	Stopfen
	98	13 93 60 00	1	Getto avviamento	Starting jet	Gicleur de starter	Starterdüse
*	99	13 93 60 00	1	Guarnizione	Gasket	Joint	Dichtung
	100	13 93 55 00	1	Polverizzatore	Atomizer	Pulvérisateur	Zerstäuber
	101	10 93 59 00	1	Getto minimo	Pilot jet	Gicleur de ralenti	Leerlaufdüse
	102	13 93 48 00	1	Spillo chiusura	Needle valve	Pointeau	Nadelventil
	103	13 93 46 00	1	Pipetta raccordo	Adaptor	Raccord	Adapter
*	104	13 93 46 00	1	Filtro benzina	Filter	Tamis	Sieb
	105	13 93 49 00	1	Vite	Screw	Vis	Schraube
*	106	13 93 49 00	1	Guarnizione	Gasket	Joint	Dichtung
	107	14 93 30 00	1	Galleggiante	Float	Flotteur	Schwimmer
	108	13 93 31 00	1	Perno galleggiante	Float pin	Axe de flotteur	Schwimmerachse

1000 G5Tavola - Drawing
Table - Bild**1****TESTA - CILINDRI - CARBURATORI**
HEAD - CYLINDERS - CARBURET.
CULASSE - CYLIND. - CARBURAT.
KOPF - ZYLINDER - VERGASER**SEIMM**
MOTO GUZZI

NOTE NOTES NOTES MARKE	POS. N.	N. COD. CODE No. No. CODE CODE Nr.	Q.tà Q.ty Q.té M.ge	DENOMINAZIONE	DESCRIPTION	DESIGNATION	BEZEICHNUNG
---------------------------------	------------	---	------------------------------	---------------	-------------	-------------	-------------

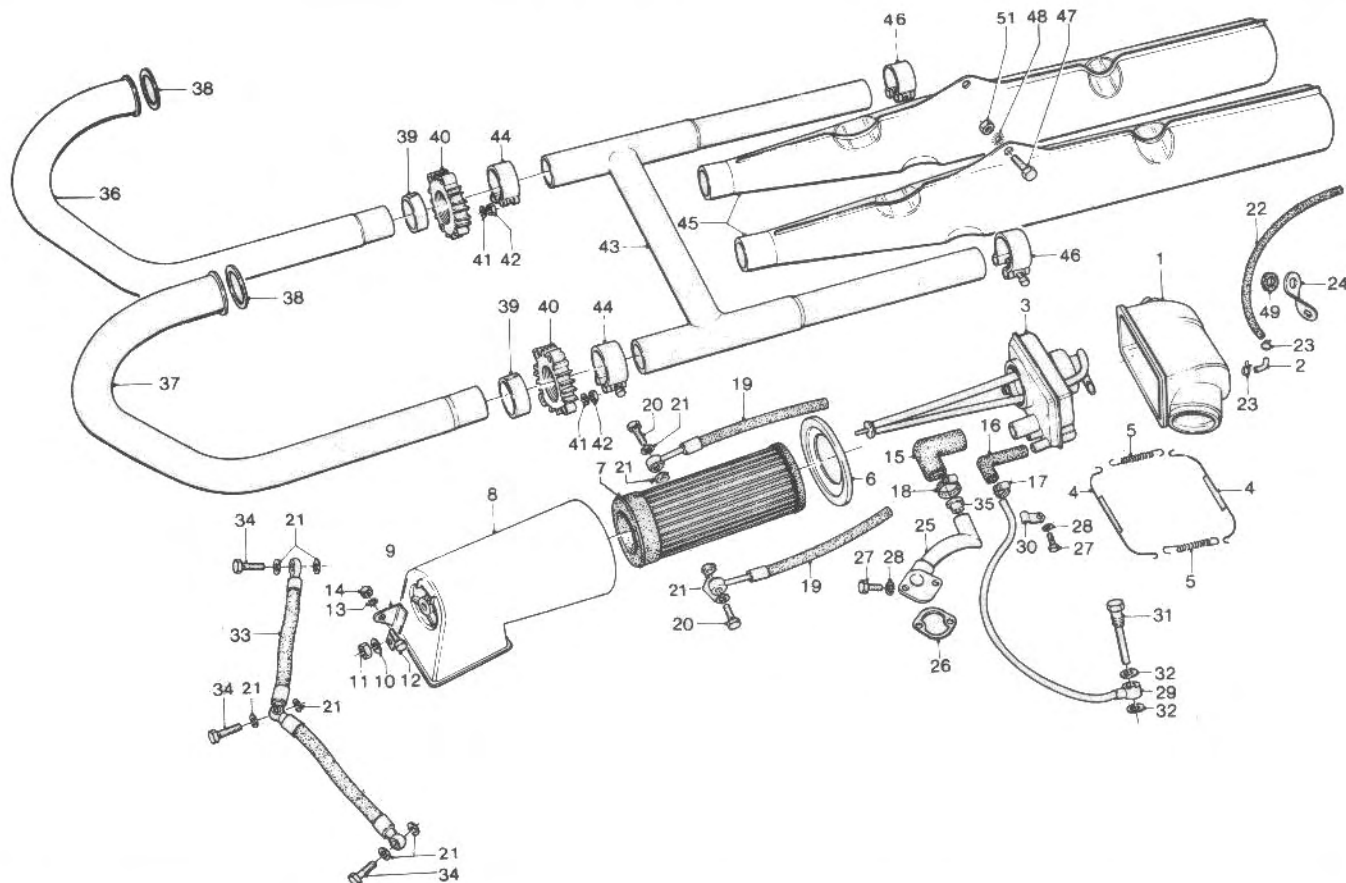
*	109		1	Guarnizione	Gasket	Joint	Dichtung
	110	13 93 44 00	1	Vaschetta	Float chamber	Cuve à niveau	Schwimmergehäuse
	111	14 93 88 00	1	Pompa alimentaz. com.	Fuel pump, compl.	Pompe à essence, comp.	Kraftstoffpumpe, kpl.
	112	18 94 10 50	1	Protez. dx per cop.	R.H. protect. for cover	Protect. D pour couv.	Schütz R. f. Deckel
	113	18 94 14 50	1	Protez. sx per cop.	L.H. protect. for cover	Protect. G pour couv.	Schutz L. f. Deckel
	114	18 94 17 50	2	Elemento in gomma	Rubber protection	Protection en caoutch.	Gummischütz
	115	93 18 00 80	2	Tappo per foro	Plug	Bouchon	Stopfen
	116	18 94 18 50	4	Rosetta isolante	Isolating washer	Rondelle isolante	Isolierscheibe

(*) I particolari contrassegnati con (*) sono componenti del "Gruppo revisione carburatori"

Items marked with (*) belong to "Carburetor kit"

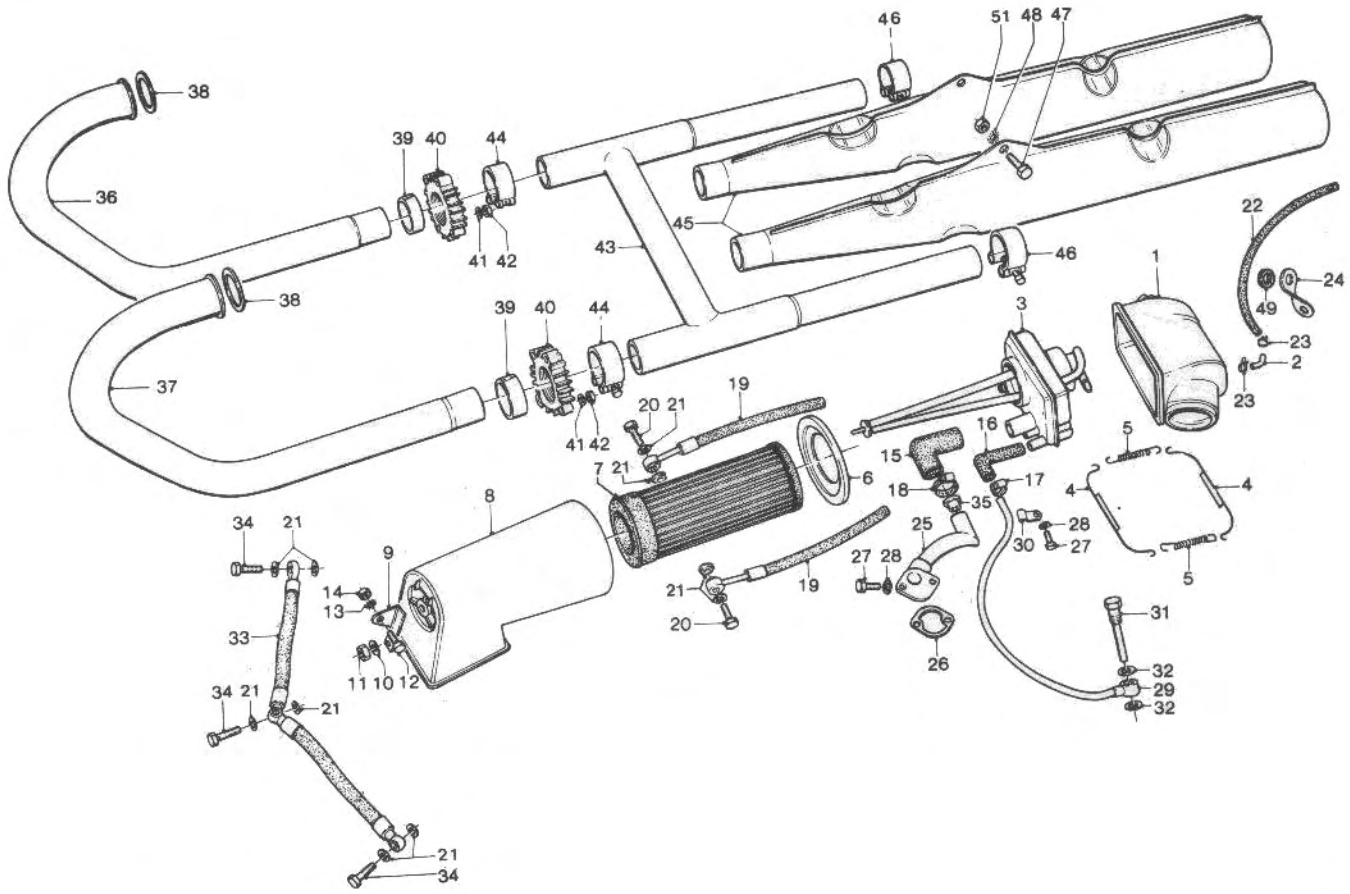
Les pièces marquées avec (*) composent le "Kit de carburateurs"

Die mit (*) gezeichneten Teile gehören dem "Vergaser - Rep. Satz".

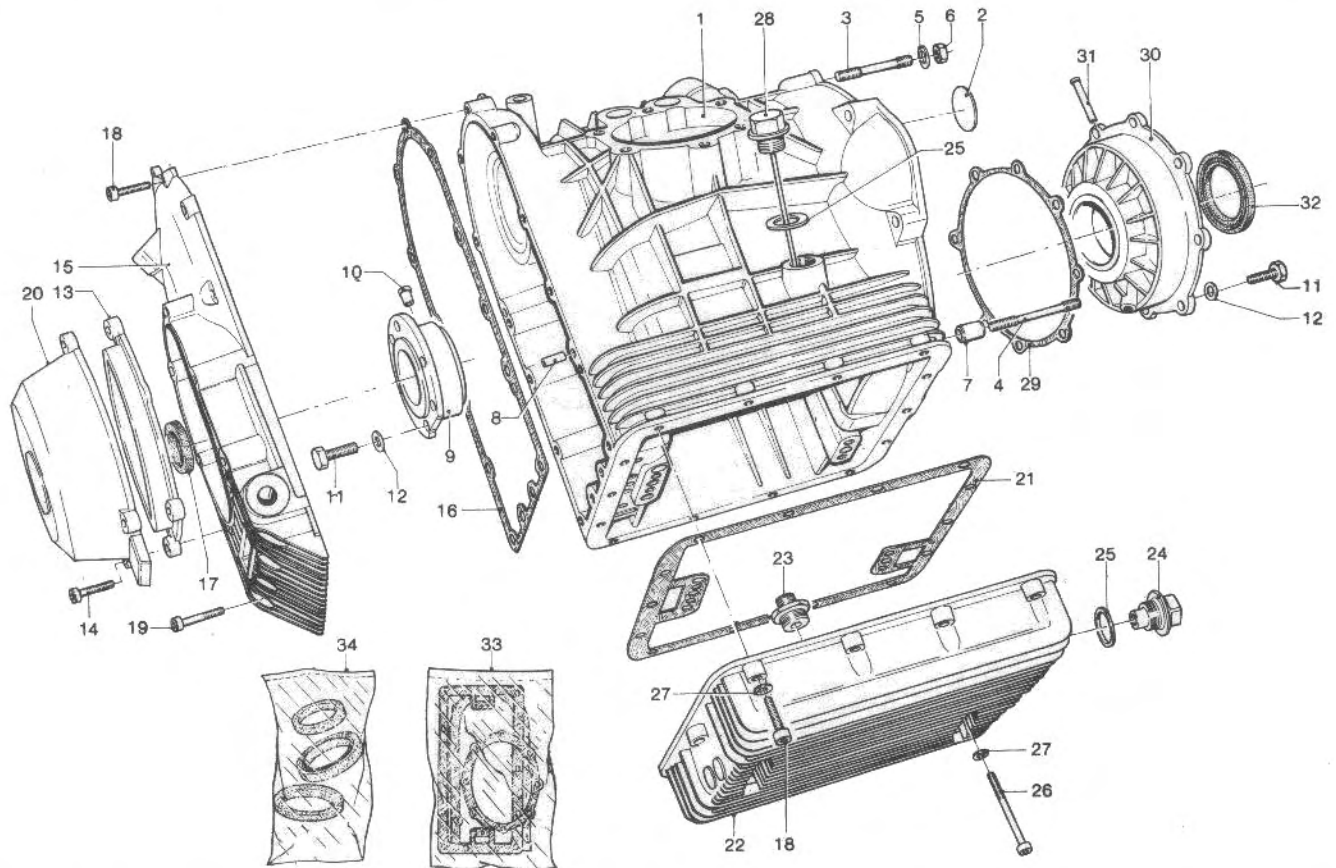


NOTE NOTES MARKE	POS. N.	N. COD. CODE No. No. CODE CODE Nr.	Q.tà Q.ty Q.té M.ge	DENOMINAZIONE	DESCRIPTION	DESIGNATION	BEZEICHNUNG
	1	17 11 43 50	1	Collettore d'aspiraz.	Intake manifold	Collecteur d'admiss.	Ansaugrohr
	2	17 11 46 50	1	Tubetto	Elbow	Coude	Krummer
	3	17 15 57 50	1	Sfiatoio olio	Breather	Reniflard	Entlüfter
	4	17 11 45 53	2	Staffa	Buckle	Boucle	Schnalle
	5	17 66 76 50	2	Molla	Spring	Ressort	Feder
	6	17 11 34 50	1	Fondello	Ring	Bague	Ring
	7	17 11 36 50	1	Filtro aria	Filter cartridge	Cartouche filtre	Luftfilterpatrone
	8	17 11 40 50	1	Custodia	Air filter chamber	Chambre de filtre air	Luftfilterkammer
	9	17 11 41 50	1	Squadretta	Bracket	Support	Träger
	10	95 10 00 59	1	Rosetta	Washer	Rondelle	Scheibe
	11	92 60 22 05	1	Dado	Nut	Ecrou	Mutter
	12	98 05 43 14	1	Vite	Screw	Vis	Schraube
	13	95 02 11 06	1	Rosetta dentellata	Shakery washer	Rondelle dentée	Zahnscheibe
	14	92 60 22 06	1	Dado	Nut	Ecrou	Mutter
	15	17 15 48 50	1	Pipetta sfiato	Rubber elbow	Coude de caoutchouc	Gummikrümmen
	16	17 15 49 50	1	Pipetta recupero	Rubber elbow	Coude de caoutchouc	Gummikrümmen
	17	12 10 84 00	5	Fascetta	Hose clamp	Collier	Schlauchschelle
	18	12 15 78 00	1	Fascetta grande	Hose clamp	Collier	Schlauchschelle
	19	17 15 96 50	2	Tubo sfiato	Vent hose	Tuyau de reniflard	Entlüftungsschlauch
	20	95 99 00 37	2	Vite cava	Hollow screw	Vis creuse	Hohlschraube
	21	12 15 42 00	10	Rosetta alluminio	Washer	Rondelle	Scheibe
	22	95 98 55 32	1	Tubazione	Pipe	Tuyau	Rohr
	23	61 10 85 00	2	Fascetta	Hose clip	Collier de serrage	Schlauchklemme
	24	14 11 54 00	1	Piastrina	Bracket	Plaque	Träger
	25	12 00 72 00	1	Tubazione	Breather	Reniflard	Entlüfter
	26	12 00 76 00	1	Guarnizione	Gasket	Joint	Dichtung
	27	98 05 43 16	3	Vite	Screw	Vis	Schraube
	28	95 12 00 65	3	Rosetta elastica	Spring washer	Rondelle élastique	Federscheibe
	29	17 00 62 50	1	Tubazione recupero	Return pipe	Tuyau de retour	Rücklaufrohr
	30	12 00 65 00	1	Fascetta	Clamp	Collier	Schelle
	31	12 00 66 00	1	Vite cava	Hollow screw	Vis creuse	Hohlschraube
	32	12 00 64 00	2	Rosetta	Washer	Rondelle	Scheibe
	33	14 15 36 01	1	Tubazione	Oil tube	Tuyau d'huile	Ölleitung
	34	95 99 00 37	3	Vite cava	Hollow screw	Vis creuse	Hohlschraube
	35	17 15 05 51	1	Valvola sfiato	Vent control valve	Soupape de reniflard	Entlüfterventil
	36	14 12 09 01	1	Tubo scarico dx	R.H. exhaust pipe	Tuyau d'échappem. D	Auspuffrohr, R.

1000 G5Tavola - Drawing
Table - Bild**2**FILT.ARIA-SFIAT.-TUBI SC.-SILEN.
AIR FILTER-BREAT.-EXH.PIPE - SIL.
FILT.A AIR-RENIFL.-TUY D'EC.-SIL.
FILT.-ENTLUF.-AUSPUFFR.-SCHAL.SEIMM

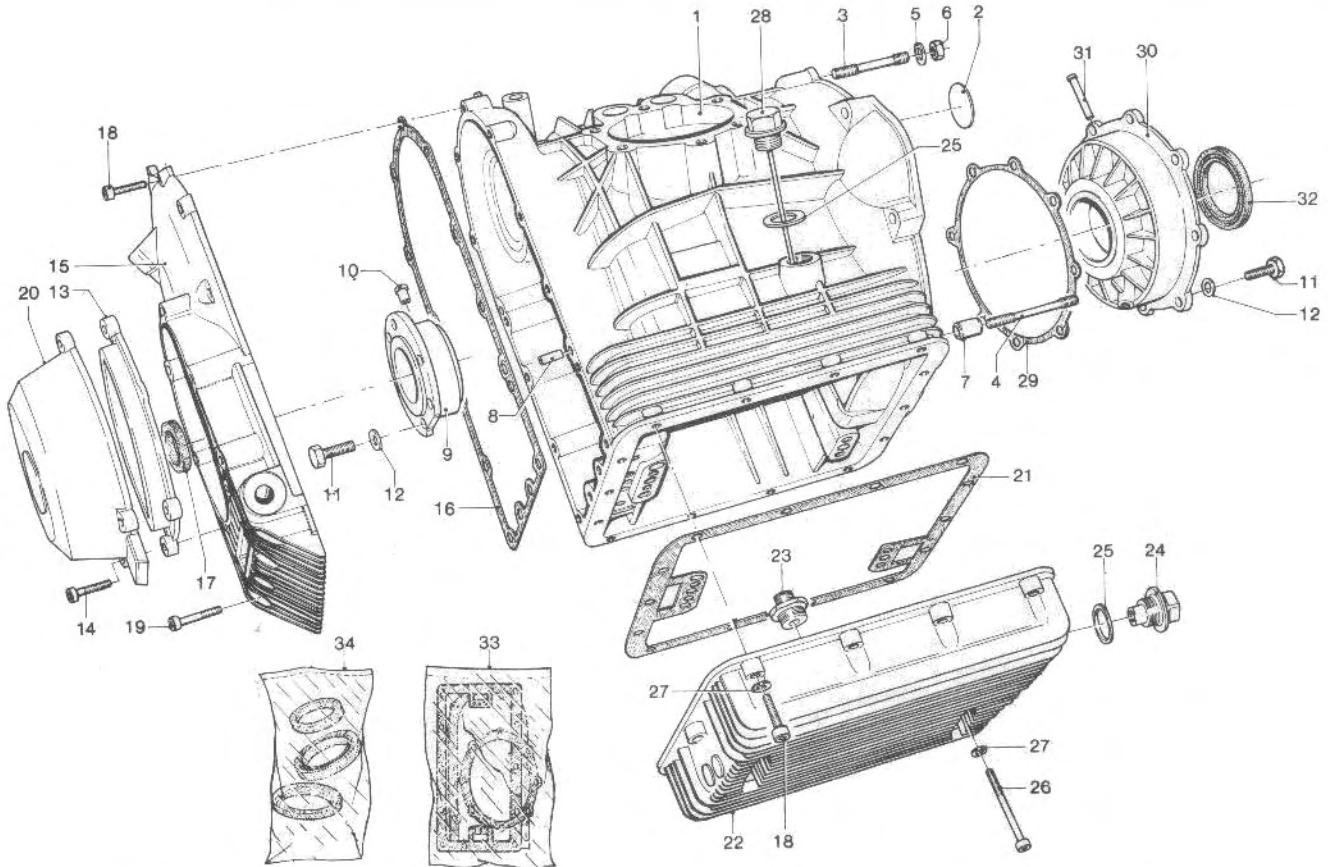
MOTO GUZZI

NOTE NOTES NOTES MARKE	POS. N.	N. COD. CODE No. No. CODE CODE Nr.	Q.tà Q.ty Q.té M.ge	DENOMINAZIONE	DESCRIPTION	DESIGNATION	BEZEICHNUNG
	37	14 12 09 06	1	Tubo scarico sx	L.H. exhaust pipe	Tuyau d'échappem. G	Auspuffrohr, L.
	38	90 71 83 70	2	Guarnizione	Gasket	Joint	Dichtung
	39	14 12 12 00	2	Distanziale	Spacer	Entretoise	Distanzring
	40	14 12 10 00	2	Flangia	Flange	Flasque	Flansch
	41	14 61 59 01	4	Rosetta di sicurezza	Washer	Rondelle	Scheibe
	42	92 60 32 08	6	Dado	Nut	Ecrou	Mutter
	43	17 12 39 50	1	Camera di espansione	Expansion chamber	Chambre de détente	Expansionraum
	44	14 12 69 00	2	Fascetta	Clamp	Collier	Schlauchbinder
	45	14 12 29 01	2	Silenziatore scarico	Muffler	Silencieux	Schalldämpfer
	46	14 12 34 00	2	Fascetta	Clamp	Collier	Schlauchbinder
	47	98 06 44 25	2	Vite	Screw	Vis	Schraube
	48	95 02 11 08	2	Rosetta elast. dentell.	Tooth washer	Rondelle dentée	Zahnscheibe
	49	91 55 10 81	1	Anello gomma	Rubber ring	Bague en caoutch.	Gummiring

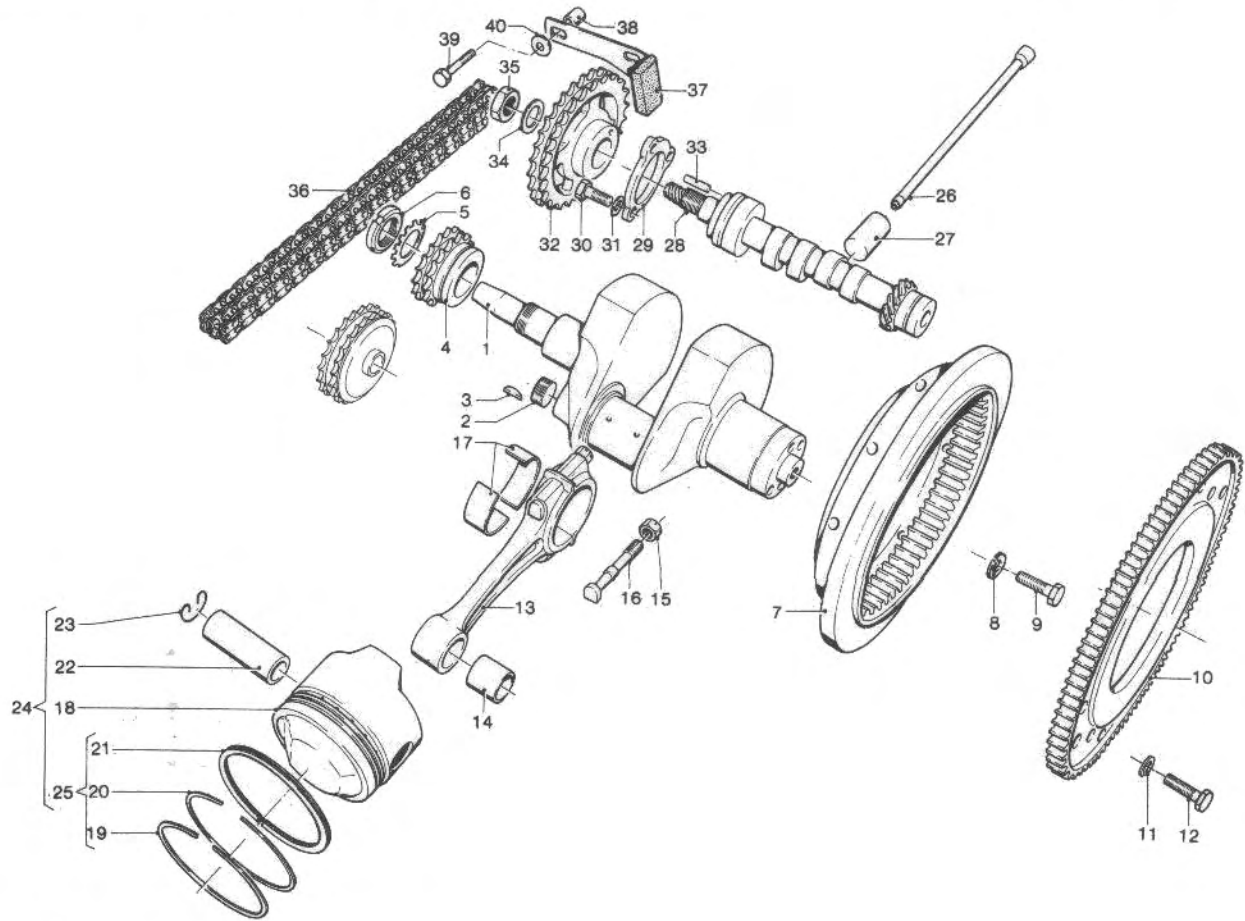


NOTE NOTES NOTES MARKE	POS. N.	N. COD. CODE No. No. CODE CODE Nr.	Q.tà Q.ty Q.té M.ge	DENOMINAZIONE	DESCRIPTION	DESIGNATION	BEZEICHNUNG
	1	18 00 07 50	1	Basamento motore	Crankcase	Carter moteur	Kurbelgehäuseunterteil
	2	12 00 39 00	1	Fondello	Plug	Bouchon	Stopfen
	3	96 50 80 66	4	Prigioniero corto	Short stud	Goujon cort	Kurze Stiftschraube
	4	96 50 80 75	2	Prigioniero lungo	Long stud	Goujon long	Lange Stiftschraube
	5	95 00 42 08	5	Rosetta	Washer	Rondelle	Scheibe
	6	92 60 22 08	6	Dado	Nut	Ecrou	Mutter
	7	12 01 89 00	2	Bussola riferimento	Coupling bush	Bague d'accouplement	Kupplungsbuchse
	8	95 51 20 81	2	Spina di riferimento	Connecting pin	Axe de liaison	Haltebolzen
	9	14 01 19 00	1	Flangia completa di cuscinetto	Flange with bearing complete	Flasque avec roulement complète	Flansch mit Lager, kpl.
	9	14 01 19 01	1	Flangia (min. mm 0,2)	Flange (undersize mm 0,2)	Flasque (minoré mm 0,2)	Flansch (Untergrosse mm 0,2)
	9	14 01 19 02	1	Flangia (min. mm 0,4)	Flange (undersize mm 0,4)	Flasque (minoré mm 0,4)	Flansch (Untergrosse mm 0,4)
	9	14 01 19 03	1	Flangia (min. mm 0,6)	Flange (undersize mm 0,6)	Flasque (minoré mm 0,6)	Flansch (Untergrosse mm 0,6)
	10	12 01 22 00	1	Spina	Peg	Bonhomme	Stift
	11	98 05 44 25	14	Vite	Screw	Vis	Schraube
	12	61 27 03 00	14	Rosetta elastica	Spring washer	Rondelle élastique	Federring
	13	18 00 11 50	1	Flangia	Flange	Flasque	Flansch
	14	98 31 06 30	4	Vite coperchio	Screw	Vis	Schraube
	15	14 00 14 00	1	Coperchio distribuz.	Timing cover	Couvercle de distrib.	Steuergehäusedeckel
	16	12 00 12 00	1	Guarnizione	Gasket	Joint	Dichtung
	17	90 40 28 39	1	Anello	Ring	Bague	Ring
	18	98 62 03 25	22	Vite corta	Short screw	Vis courte	Kurze Schraube
	19	98 62 03 35	6	Vite lunga	Long screw	Vis longue	Lange Schraube
	20	18 00 16 50	1	Coperchio generatore	Alternator cover	Couvercle de l'altern.	Generatordeckel
	21	14 00 36 00	1	Guarnizione coppa	Sump gasket	Joint du carter	Dichtung
	22	14 00 35 00	1	Coppa olio	Oil sump	Carter d'huile	Ölwanne
	23	14 00 38 00	1	Raccordo	Connection	Raccord	Anschluss
	24	12 00 37 02	1	Tappo scarico olio	Oil drain plug	Bouchon de vid. huile	Ölablassschraube
	25	95 10 07 09	2	Guarnizione	Gasket	Joint	Dichtung
	26	98 62 03 55	4	Vite lunga	Long screw	Vis longue	Lange Schraube
	27	95 00 42 06	18	Rosetta	Washer	Rondelle	Scheibe
	28	17 00 49 51	1	Tappo olio	Oil filler plug	Bouchon de rempl. huile	Öleinfüllstutzen
	29	12 01 18 00	1	Guarnizione flangia	Flange gasket	Joint de flasque	Flanschdichtung

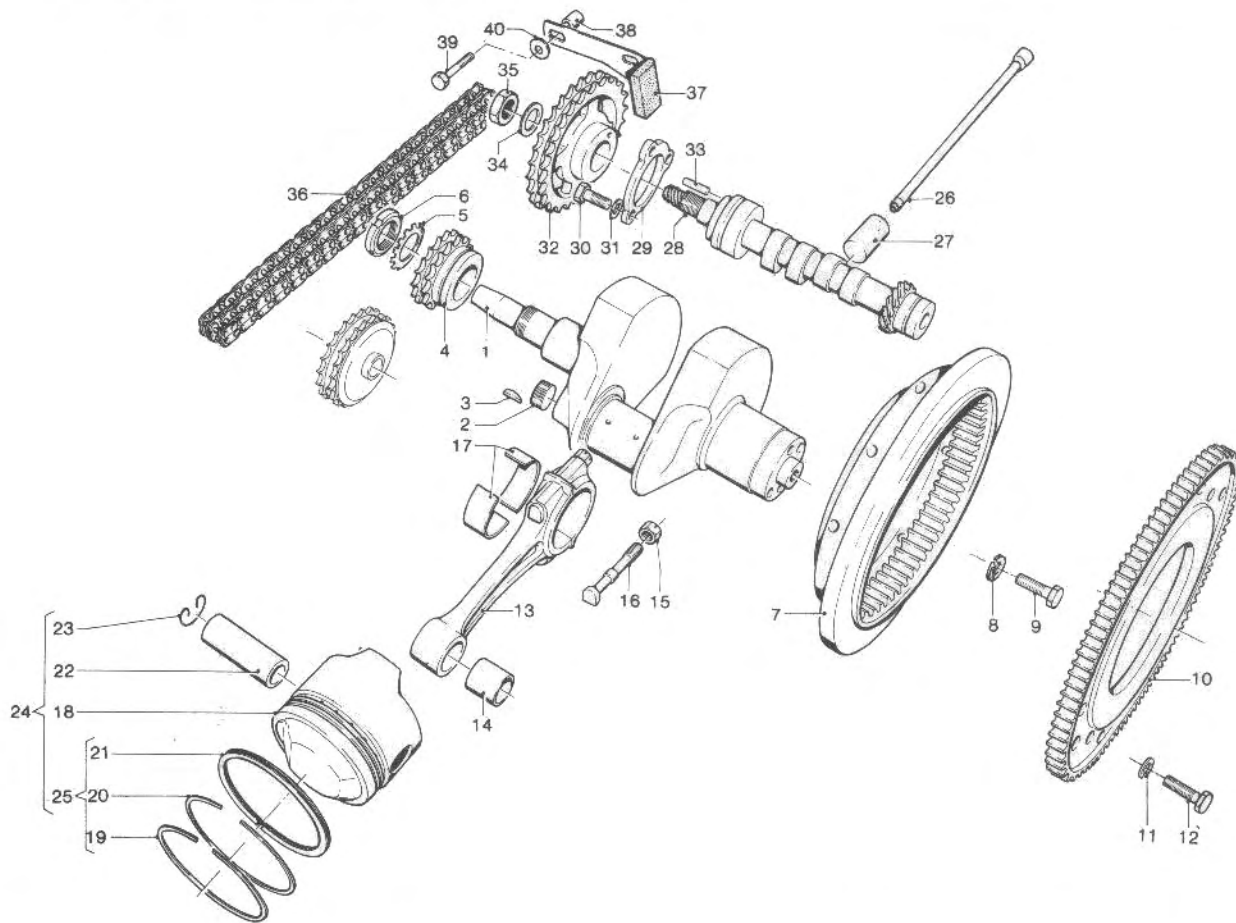
1000 G5Tavola - Drawing
Table - Bild**3****BASAMENTO E COPERCHI**
CRANKCASE - COVERS
CARTER MOTEUR - COUVERCLES
KURBELGEHÄUSEUNT. - DECKEL**SEIMM**

MOTO GUZZI

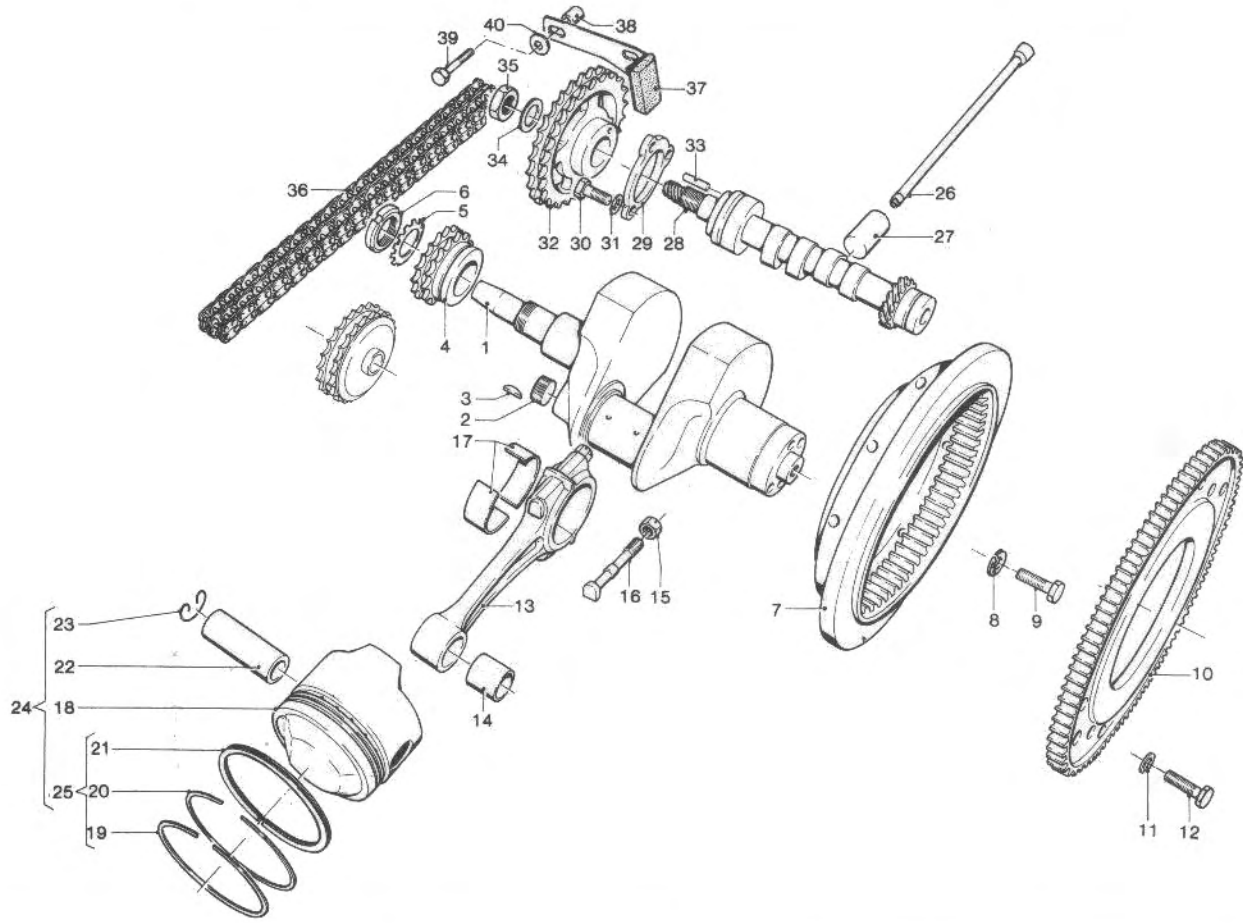
NOTE NOTES NOTES MARKE	POS. N.	N. COD. CODE No. No. CODE CODE Nr.	Q.tà Q.ty Q.té M.ge	DENOMINAZIONE	DESCRIPTION	DESIGNATION	BEZEICHNUNG
	30	12 01 14 00	1	Flangia completa di cuscinetto	Flange with bearing, complete	Flasque avec roulem. complète	Flansch mit Lager, kpl.
	30	12 01 14 01	1	Flangia (min. mm 0,2)	Flange (undersize mm 0,2)	Flasque (minoré mm 0,2)	Flansch (Untergrosse mm 0,2)
	30	12 01 14 02	1	Flangia (min. mm 0,4)	Flange (undersize mm 0,4)	Flasque (minoré mm 0,4)	Flansch (Untergrosse mm 0,4)
	30	12 01 14 03	1	Flangia (min. mm 0,6)	Flange (undersize mm 0,6)	Flasque (minoré mm 0,6)	Flansch (Untergrosse mm 0,6)
	31	12 01 17 00	1	Spina	Peg	Bonhomme	Stift
	32	90 40 53 67	1	Anello di tenuta	Seal ring	Bague d'étanchéité	Dichtring
	33	18 99 90 50	1	Gruppo guarnizioni	Gasket set	Ensemble de joints	Dichtungsausrüstung
	34	17 99 95 50	1	Gruppo paraoli	Oil retainer set	Ensemble deflec. huile	Ölspritzringausrüstung
	—	18 99 10 01	1	Motore completo	Engine assy	Moteur complet	Motor, kpl.
	—	18 99 14 01	1	Motore compl. cambio	Engine & gearbox, assy	Moteur et B.V. compl.	Motor u. Wechselgetr. kpl.



NOTE NOTES NOTES MARKE	POS. N.	N. COD. CODE No. No. CODE CODE Nr.	Q.tà Q.ty Q.té M.ge	DENOMINAZIONE	DESCRIPTION	DESIGNATION	BEZEICHNUNG
	1	18 06 42 01	1	Albero motore	Crankshaft	Vilebrequin	Kurbelwelle
	2	12 06 54 00	1	Tappo	Plug	Bouchon	Stopfen
	3	91 70 23 55	1	Chiavella	Cotter	Clavette	Keil
	4	14 07 20 01	1	Pignone motore	Driving pinion	Pignon d'attaque	Antriebritzel
	5	95 02 80 25	1	Rosetta	Washer	Rondelle	Scheibe
	6	93 60 10 26	1	Ghiera bloccaggio	Ring nut	Collier de serrage	Gewinding
	7	17 06 70 50	1	Volano motore	Flywheel	Volant	Schwungrad
	8	14 61 59 01	6	Rondella	Washer	Rondelle	Scheibe
	9	12 06 77 01	6	Vite	Screw	Vis	Schraube
	10	17 06 79 00	1	Corona dentata	Flywheel ring gear	Couronne dentée	Schwungradkranz
	11	95 12 00 85	8	Rosetta elastica	Spring washer	Rondelle élastique	Federring
	12	98 05 44 20	8	Vite	Screw	Vis	Schraube
	13	14 06 15 50	2	Biella completa	Connecting rod, assy	Bielle complète	Pleuelstange, kpl.
	14	91 11 21 24	2	Boccola	Bush	Bague	Buchse
	15	92 73 10 90	4	Dado autobloccante	Self-locking nut	Ecrou de sûreté	Sicherungsmutter
	16	14 06 22 01	4	Vite	Screw	Vis	Schraube
	17	12 06 20 05	4	Semicuscinetti di biella	Big-end half bearing	Demi-couss. tête bielle	Pleuellagerschale
	17	12 06 20 06	4	Semicuscinetto (min. mm 0,254)	Half-bearing (under-size mm 0,254)	Demi-coussinet (minoré mm 0,254)	Lagerschale (Untergrösse mm 0,254)
	17	12 06 20 07	4	Semicuscinetto (min. mm 0,508)	Half-bearing (under-size mm 0,508)	Demi-coussinet (minoré mm 0,508)	Lagerschale (Untergrösse mm 0,508)
	17	12 06 20 08	4	Semicuscinetto (min. mm 0,762)	Half-bearing (under-size mm 0,762)	Demi-coussinet (minoré mm 0,762)	Lagerschale (Untergrösse mm 0,762)
	18	18 06 04 50	2	Pistone	Piston	Piston	Kolben
	18	18 06 05 50	2	Pistone (magg. 4/10)	Piston (oversize 4/10)	Piston (majoré 4/10)	Kolben (über. 4/10)
	18	18 06 05 51	2	Pistone (magg. 6/10)	Piston (oversize 6/10)	Piston (majoré 6/10)	Kolben (über 6/10)
	19	18 06 07 50	2	Fascia elast. super.	Piston ring	Segment d'étanchéité	Kolbenring
	19	18 06 07 51	2	Fascia sup. (magg. 4/10)	Piston ring (over. 4/10)	Seg. d'étanch. (m. 4/10)	Kolbenring (über. 4/10)
	19	18 06 07 52	2	Fascia sup. (magg. 6/10)	Piston ring (over. 6/10)	Seg. d'étanch. (m. 6/10)	Kolbenring (über. 6/10)
	20	18 06 09 50	2	Fascia elast. interm.	Piston ring	Segment d'étanchéité	Kolbenring
	20	18 06 09 51	2	Fascia int. (magg. 4/10)	Piston ring (over. 4/10)	Seg. d'étanch. (m. 4/10)	Kolbenring (über. 4/10)
	20	18 06 09 52	2	Fascia int. (magg. 6/10)	Piston ring (over. 6/10)	Seg. d'étanch. (m. 6/10)	Kolbenring (über. 6/10)
	21	18 06 10 50	2	Fascia elast. raschiaolio	Scraper ring	Segment racleur	Ölabstreifring
	21	18 06 10 51	2	Fascia raschiaolio (magg. 4/10)	Scraper ring (oversize 4/10)	Segment racleur (majoré 4/10)	Ölabstreifring (über. 4/10)
	21	18 06 10 52	2	Fascia raschiaolio (magg. 6/10)	Scraper ring (oversize 6/10)	Segment racleur (majoré 6/10)	Ölabstreifring (über. 6/10)



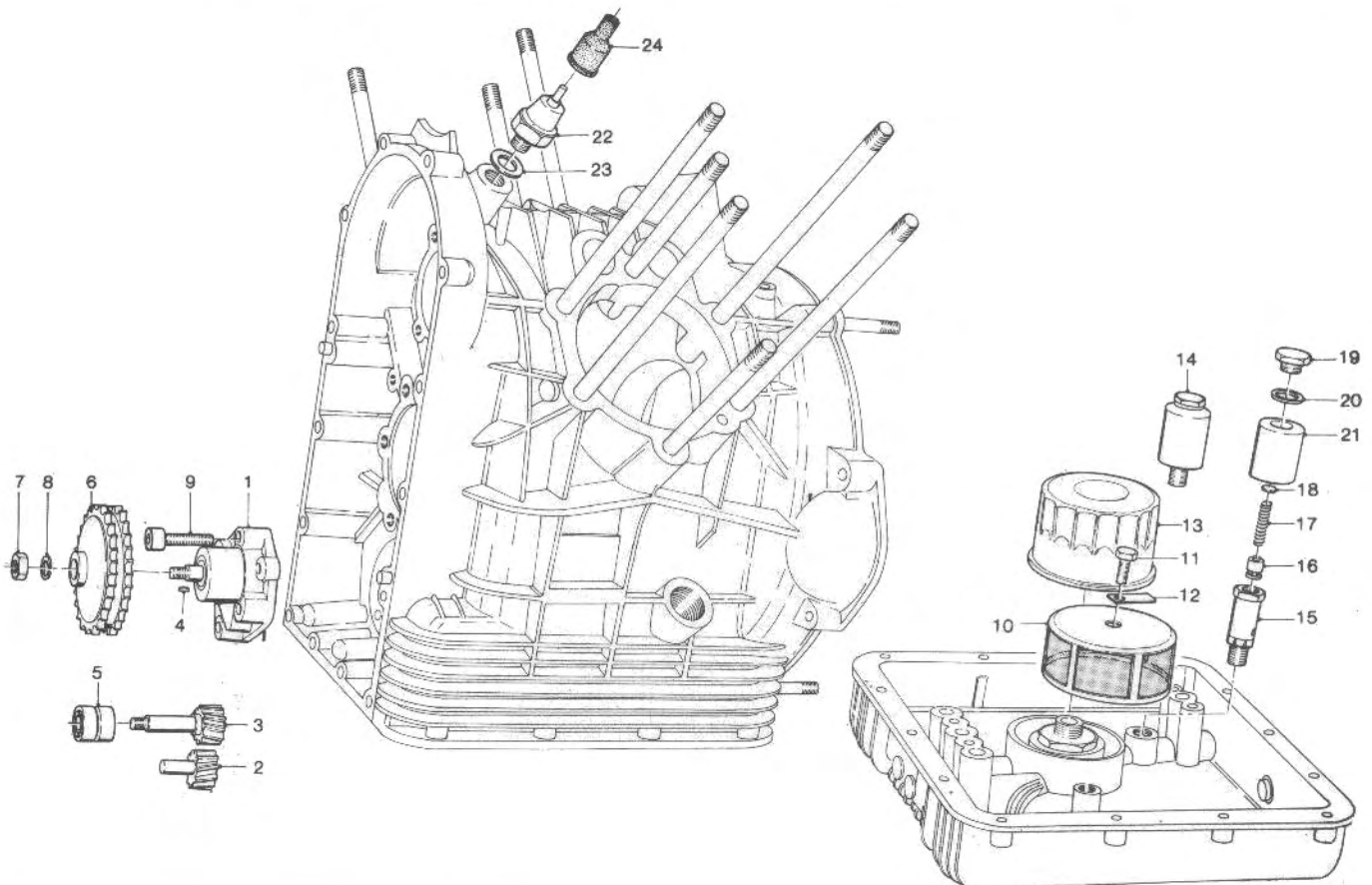
NOTE NOTES NOTES MARKE	POS. N.	N. COD. CODE No. No. CODE CODE Nr.	Q.tà Q.ty Q.té M.ge	DENOMINAZIONE	DESCRIPTION	DESIGNATION	BEZEICHNUNG
	22	13 06 12 60	2	Spinotto	Wrist pin	Axe de piston	Kolbenbolzen
	23	90 35 10 37	4	Molletta	Circlip	Jonc d'arrêt	Sprengring
	24	18 06 02 50	2	Pistone completo	Piston, assy	Piston complet	Kolben, kpl.
	24	18 06 03 50	2	Pistone completo (magg. 4/10)	Piston, assy (oversize 4/10)	Piston complet (majoré 4/10)	Kolben, kpl. (über. 4/10)
	24	18 06 03 51	2	Pistone completo (magg. 6/10)	Piston, assy (oversize 6/10)	Piston complet (majoré 6/10)	Kolben, kpl. (über 6/10)
	25	18 06 06 50	1	Gruppo fasce elastiche	Piston ring set	Ensemble de segments	Kolbenringausrüstung
	25	18 06 06 51	1	Gruppo fasce elastiche (magg. 4/10)	Piston ring set (oversize 4/10)	Ensemble de segments (majoré 4/10)	Kolbenringausrüstung (über. 4/10)
	25	18 06 06 52	1	Gruppo fasce elastiche (magg. 6/10)	Piston ring set (oversize 6/10)	Ensemble de segments (majoré 6/10)	Kolbenringausrüstung (über 6/10)
	26	17 04 50 50	4	Astina com. bilancieri	Valve plunger	Tige de poussoir	Stosstange
	27	10 04 58 00	4	Punterie	Valve plunger	Poussoir de soupape	Ventilstößel
	27	10 04 58 01	4	Punterie (magg. mm 0,05)	Valve plunger (oversize mm 0,05)	Poussoir de soupape (majoré mm 0,05)	Ventilstößel (Obergrösse mm 0,05)
	27	10 04 58 02	4	Punterie (magg. mm 0,10)	Valve plunger (oversize mm 0,10)	Poussoir de soupape (majoré mm 0,10)	Ventilstößel (Obergrösse mm 0,10)
	28	14 05 33 01	1	Albero a camme	Camshaft	Arbre de distribution	Nockenwelle
	29	12 05 40 00	1	Flangia	Flange	Flasque	Flansch
	30	98 05 43 20	3	Vite	Screw	Vis	Schraube
	31	95 12 00 65	3	Rosetta	Washer	Rondelle	Scheibe
	32	13 05 45 02	1	Ingr. com. distrib.	Camshaft gear	Pignon d'arbre distrib.	Nockenwellenrad
	33	95 51 20 60	1	Spina	Pin	Goupille Mecanindus	Stift
	34	14 43 34 00	1	Rosetta	Washer	Rondelle	Scheibe
	35	92 60 25 18	1	Dado	Nut	Ecrou	Mutter
	36	13 05 80 00	1	Catena com. distrib.	Timing chain	Chaîne de distrib.	Steuerkette
	37	13 05 82 00	1	Piastra tendicatena	Chain stretching drive	Tendeur de chaîne	Kettenspanner
	38	91 18 09 15	2	Tubetto distanziale	Spacer	Entretoise	Distanzstück
	39	98 05 44 40	2	Vite	Screw	Vis	Schraube
	40	61 27 03 00	2	Rosetta	Washer	Rondelle	Scheibe



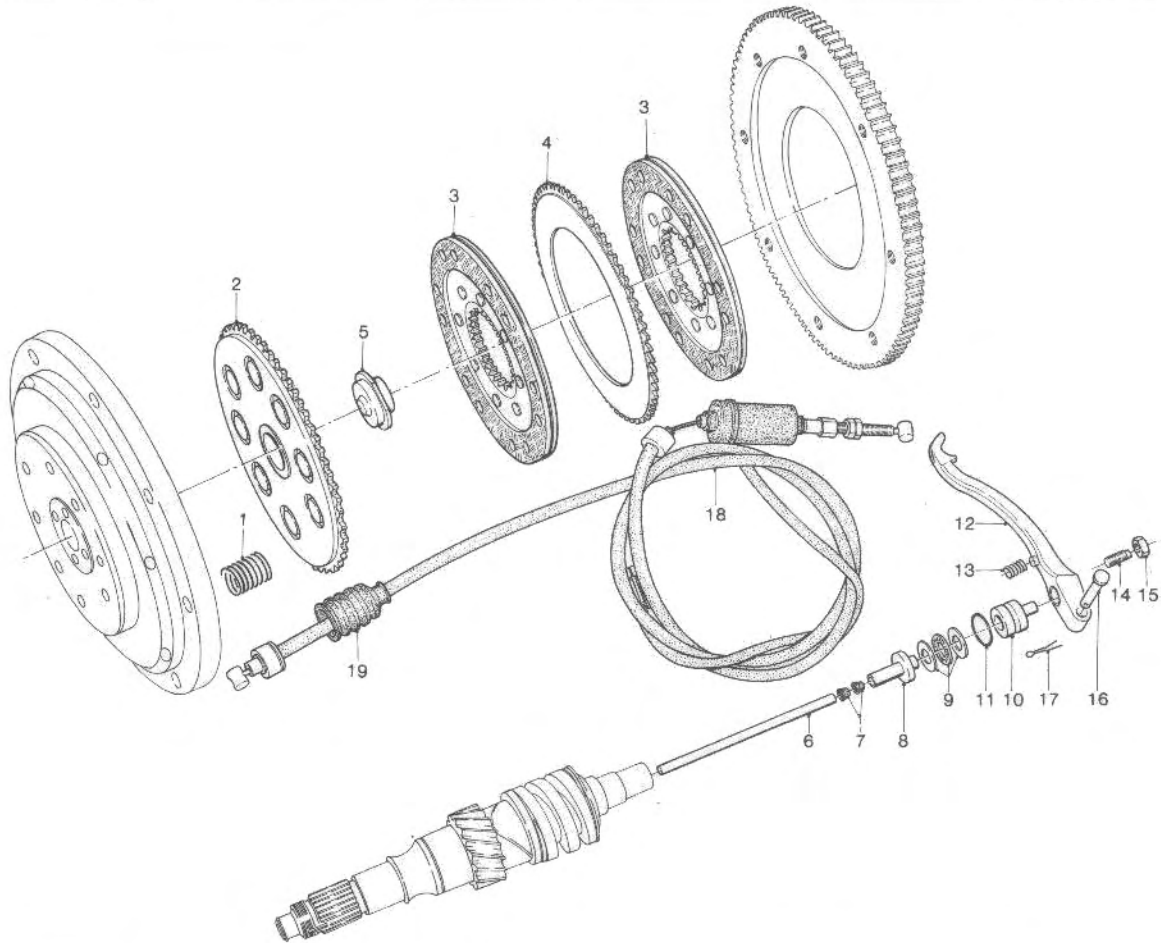
NOTE NOTES NOTES MARKE	POS. N.	N. COD. CODE No. No. CODE CODE Nr.	Q.tà Q.ty Q.té M.ge	DENOMINAZIONE	DESCRIPTION	DESIGNATION	BEZEICHNUNG
---------------------------------	------------	---	------------------------------	---------------	-------------	-------------	-------------

Per motori decompressi - Engines low compression ratio - Pour moteurs B.T.O. - Für Motoren mit niedrigen Kompressionsverhältnis

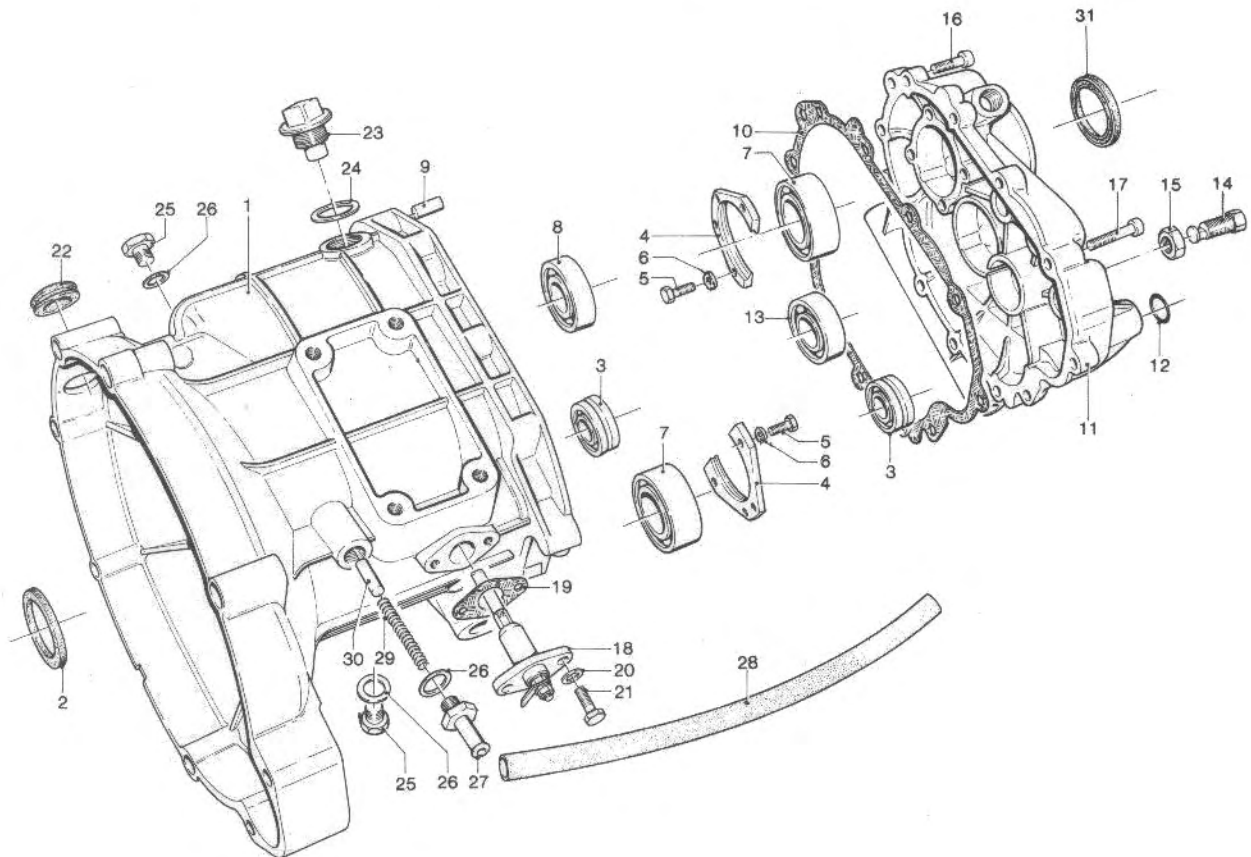
	18	18 06 04 60	2	Pistone	Piston	Piston	Kolben
	18	18 06 05 60	2	Pistone (magg. 4/10)	Piston (oversize 4/10)	Piston (majoré 4/10)	Kolben (über. 4/10)
	18	18 06 05 61	2	Pistone (magg. 6/10)	Piston (oversize 6/10)	Piston (majoré 6/10)	Kolben (über. 6/10)
	24	18 06 02 60	2	Pistone completo	Piston, assy	Piston complet	Kolben, kpl.
	24	18 06 03 60	2	Pistone (magg. 4/10)	Piston (oversize 4/10)	Piston (majoré 4/10)	Kolben (über. 4/10)
	24	18 06 03 61	2	Pistone (magg. 6/10)	Piston (oversize 6/10)	Piston (majoré 6/10)	Kolben (über. 6/10)



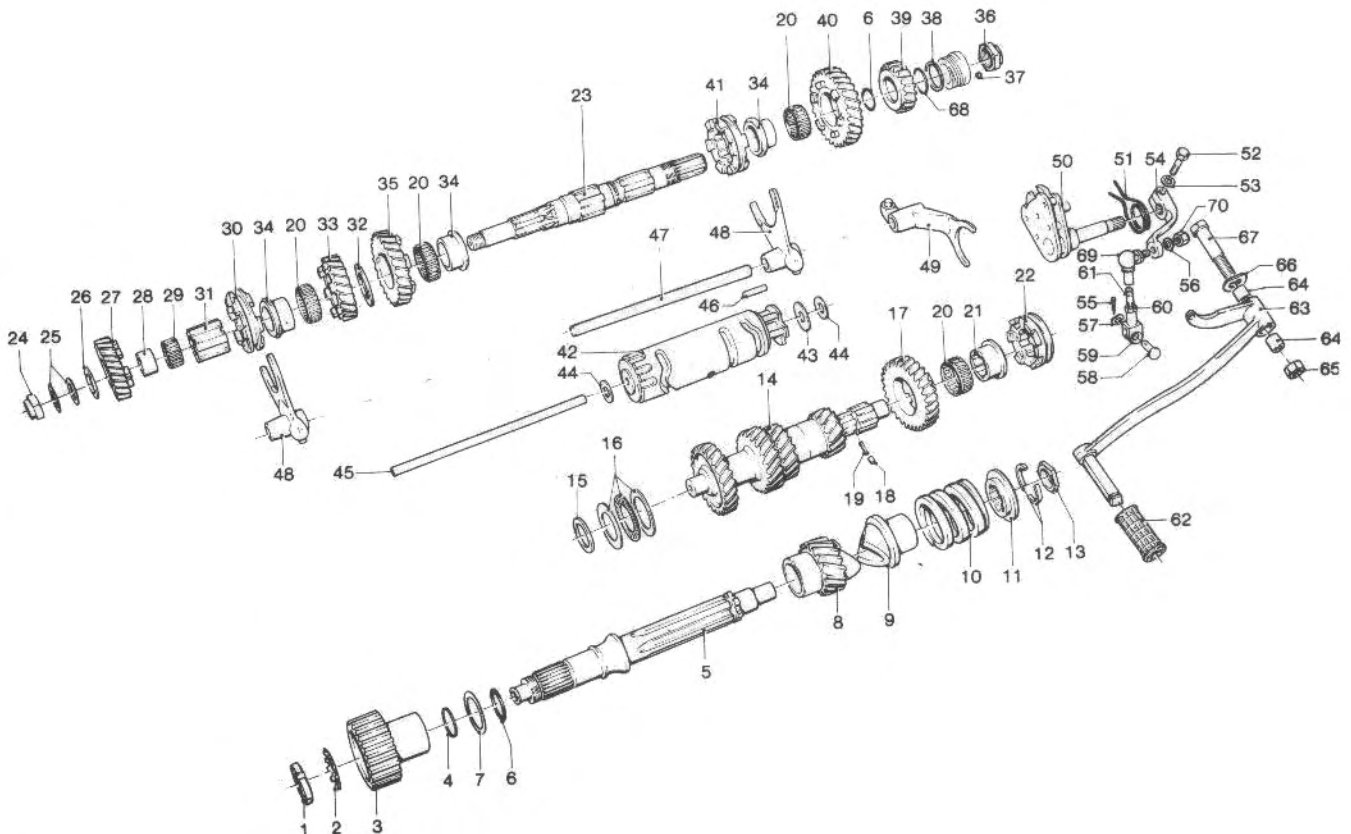
NOTE NOTES NOTES MARKE	POS. N.	N. COD. CODE No. No. CODE CODE Nr.	Q.tà Q.ty Q.té M.ge	DENOMINAZIONE	DESCRIPTION	DESIGNATION	BEZEICHNUNG
	1	13 14 64 02	1	Pompa olio compl. senza ingr. comando	Oil pump compl. (N. 6 excl.)	Pompe à huile compl. (N. 6 exclu)	Ölpumpe, kpl. (N. 6 aus.)
	2	13 14 84 00	1	Ingranaggio condotto	Driven gear	Pignon mené	Zahnrad getrieben
	3	13 14 78 00	1	Ingranaggio conduttore	Drive gear	Pignon menant	Zahnrad
	4	13 14 83 00	1	Chiavella	Key	Clavette	Keil
	5	92 25 22 10	1	Cuscinetto a rullini	Needle bearing	Roulement à aiguilles	Nadellager
	6	13 14 77 01	1	Ingr. comando pompa	Pump driving gear	Roue d'entrain. pompe	Zahnrad
	7	92 60 23 08	1	Dado	Nut	Ecrou	Mutter
	8	95 12 00 85	1	Rosetta	Washer	Rondelle	Scheibe
	9	98 62 24 30	4	Vite	Screw	Vis	Schraube
	10	14 15 22 00	1	Filtro olio a rete	Gauze	Tamis	Sieb
	11	98 05 43 16	1	Vite	Screw	Vis	Schraube
	12	95 18 70 06	1	Piastrina di sicurezza	Lock plate	Plaquette frein	Schliessblech
	13	14 15 30 00	1	Filtro olio a cartuccia	Cartridge	Cartouche	Patrone
	14	14 15 82 00	1	Valvola regolazione	Control valve	Clapet de décharge	Drucksteuerventil
	15	10 15 87 01	1	Corpo valvola	Valve housing	Corps de clapet	Ventilgehäuse
	16	12 15 09 00	1	Pistone per valvola	Valve piston	Piston de clapet	Ventilkolben
	17	94 32 10 72	1	Molla per valvola	Valve spring	Ressort de clapet	Ventilfeder
	18	12 15 07 00	1	Fondello per valvola	Bottom disc	Rondelle butée	Verschlusssscheibe
	19	12 15 90 00	1	Tappo per valvola	Valve plug	Bouchon de clapet	Ventilstopfen
	20	95 10 05 07	1	Rosetta	Washer	Rondelle	Scheibe
	21	14 15 88 00	1	Scodellino	Cup	Coupelle	Manschette
	22	17 76 87 50	1	Trasmettitore segnal.	Oil indicator	Mano-contact	Ölanzeige
	23	12 00 64 00	1	Rosetta alluminio	Washer	Rondelle	Scheibe
	24	12 71 76 00	1	Cappuccio trasmett.	Cap	Capuchon	Schutzkappe



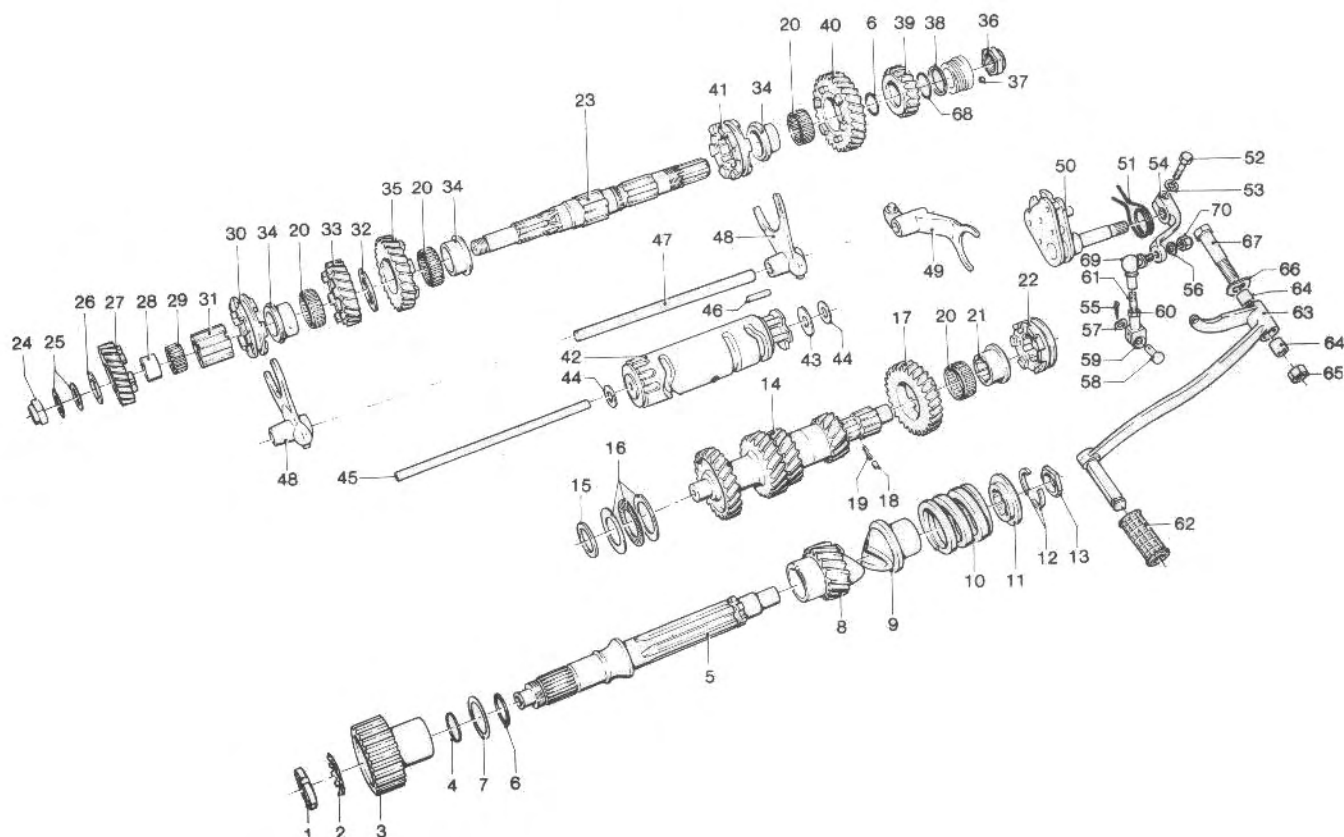
NOTE NOTES NOTES MARKE	POS. N.	N. COD. CODE No. No. CODE CODE Nr.	Q.tà Q.ty Q.té M.ge	DENOMINAZIONE	DESCRIPTION	DESIGNATION	BEZEICHNUNG
	1	13 08 41 00	8	Molla per frizione	Spring	Ressort	Feder
	2	12 08 29 01	1	Piattello spingimolle	Pressure plate	Plaque de pression	Druckplatte
	3	14 08 44 50	2	Disco frizione compl.	Clutch plate, compl.	Disque d'embr. compl.	Kupplungsscheibe, kpl.
	4	12 08 23 00	1	Disco frizione interm.	Intermediate plate	Disque intercalaire	Zwischenscheibe
	5	12 08 28 00	1	Scodellino	Cup	Coupelle	Manschette
	6	14 08 57 00	1	Asta	Rod	Tige de poussée	Druckstift
	7	14 08 59 00	2	Bussola conica	Bush	Douille (caoutch.)	Gummibuchse
	8	14 08 60 00	1	Corpo interno	Inner body	Corps intérieur	Innengehäuse
	9	12 08 70 01	1	Cuscinetto reggispira	Thrust bearing	Butée d'embrayage	Drucklager
	10	14 08 61 00	1	Corpo esterno	Outer body	Corps extérieur	Aussengehäuse
	11	90 70 61 70	1	Anello di tenuta	Seal ring	Joint d'étanchéité	Dichtring
	12	14 09 02 02	1	Leva disinnesto friz.	Operating lever	Levier de dégagem.	Ausrückhebel
	13	94 32 11 05	1	Molla ritorno leva	Counter spring	Ressort de rappel	Gegenfeder
	14	14 09 04 00	1	Vite registro leva	Adjusting screw	Vis de réglage	Stellschraube
	15	92 60 25 08	1	Dado	Nut	Ecrou	Mutter
	16	95 78 02 71	1	Spina	Pin	Axe de maintien	Stift
	17	95 50 02 22	1	Copiglia	Split pin	Goupille	Splint
	18	18 09 30 60	1	Trasm. com. frizione	Clutch cable	Câble d'embrayage	Kupplungskabel
	19	17 09 38 50	1	Soffietto	Bellows	Soufflet	Balgmanschette



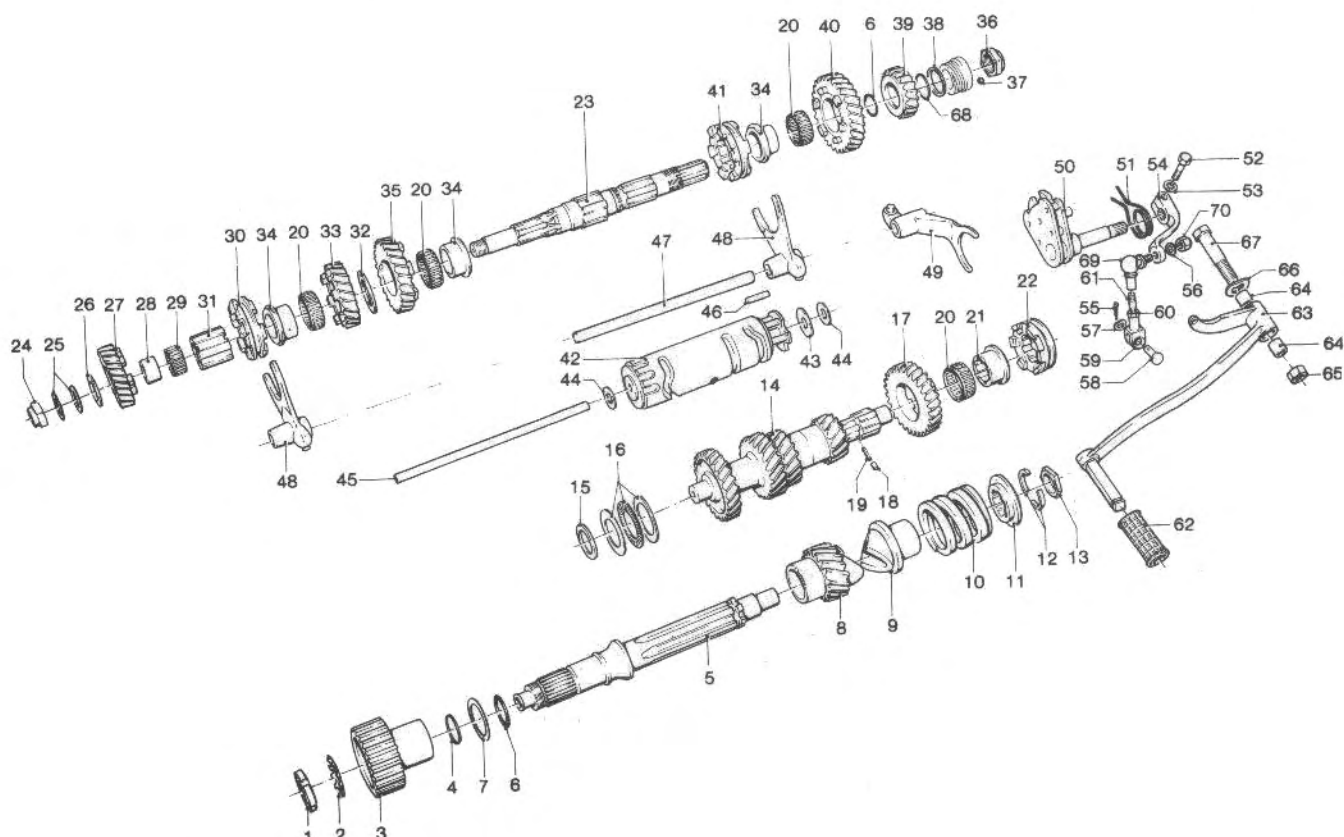
NOTE NOTES NOTES MARKE	POS. N.	N. COD. CODE No. No. CODE CODE Nr.	Q.tà Q.ty Q.té M.ge	DENOMINAZIONE	DESCRIPTION	DESIGNATION	BEZEICHNUNG
	1	14 20 02 11	1	Scatola cambio	Gearbox	Boîte de vitesse	Getriebegehäuse
	2	90 40 35 48	1	Anello di tenuta	Seal ring	Joint d'étanchéité	Dichtring
	3	92 25 62 18	2	Cuscinetto A.P. e A.F.	Main shaft and clutch shaft bearing	Roulement arbre prim. et arbre d'embrayage	Lager für Antrieb- und Kupplungswelle
	4	14 21 38 03	2	Piastra di sicurezza	Lock plate	Plaquette de sûreté	Schliessblech
	5	98 62 23 16	6	Vite	Screw	Vis	Schraube
	6	14 21 79 01	6	Rosetta di sicurezza	Lock washer	Rondelle de sûreté	Sicherungsblech
	7	92 21 84 24	2	Cuscinetto A.F. e A.S.	C.S. - L.S. bearing	Roulem. A. d'E. - A.S.	Lager für K.W. - Ab.W.
	8	92 23 47 17	1	Cuscinetto A.S.	L.S. bearing	Roulement A.S.	Lager für Ab.W.
	9	95 51 20 81	2	Spina di riferimento	Dowel	Téton	Dübel
	10	14 20 11 10	1	Guarnizione	Gasket	Joint	Dichtung
	11	14 20 08 11	1	Coperchio per scatola	Cover	Couvercle	Deckel
	12	90 70 61 40	1	Anello di tenuta	Seal ring	Bague d'étanchéité	Dichtring
	13	92 20 14 17	1	Cuscinetto per A.P.	M.S. bearing	Roulement A.P.	Lager für An.W.
	14	14 23 78 00	1	Vite eccentrica	Eccentric screw	Vis excentrique	Ausmittige Schraube
	15	92 60 25 12	1	Dado	Nut	Ecrou	Mutter
	16	98 62 03 25	10	Vite corta	Short screw	Vis courte	Kurze Schraube
	17	98 62 03 35	1	Vite lunga	Long screw	Vis longue	Lange Schraube
	18	12 20 72 00	1	Corpo contatti	Contact holder	Porte-contact	Kontaktträger
	19	12 20 77 00	1	Guarnizione	Gasket	Joint	Dichtung
	20	95 00 02 06	2	Rosetta piana	Washer	Rondelle	Scheibe
	21	98 05 43 16	2	Vite	Screw	Vis	Schraube
	22	93 18 02 20	1	Tappo in gomma	Rubber plug	Bouchon en caoutch.	Gummistopfen
	23	12 00 37 02	1	Tappo olio	Oil filler plug	Bouchon de rempl. huile	Öleinfüllstutzen
	24	95 10 07 09	1	Guarnizione	Gasket	Joint	Dichtung
	25	95 98 06 10	2	Tappo livello e scarico	Lever and drain plug	Bouch. de niveau - vid.	Ölstand- und Ablassst.
	26	10 52 89 00	3	Guarnizione	Gasket	Joint	Dichtung
	27	12 23 53 01	1	Tappo sfiatatoio	Breather	Reniflard	Entlüfter
	28	12 23 94 00	1	Tubazione	Breather pipe	Tuyau de reniflard	Entlüfterschlauch
	29	94 32 10 67	1	Molla	Spring	Ressort	Feder
	30	55 23 47 00	1	Nottolino fermo marce	Pawl	Cliquet d'arrêt	Sperrklinke
	31	90 40 35 47	1	Anello di tenuta	Seal ring	Bague d'étanchéité	Dichtring



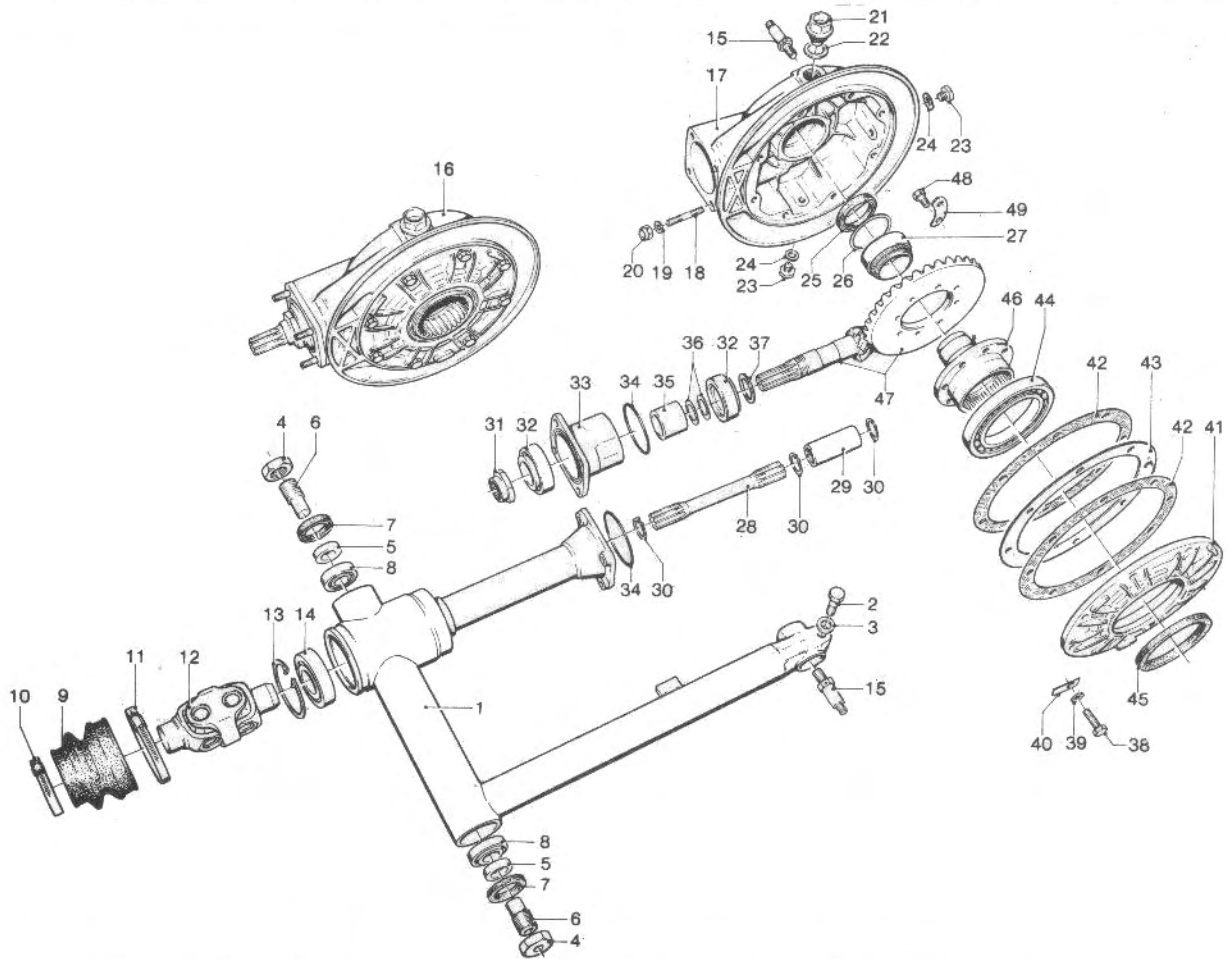
NOTE NOTES NOTES MARKE	POS. N.	N. COD. CODE No. No. CODE CODE Nr.	Q.tà Q.ty Q.té M.ge	DENOMINAZIONE	DESCRIPTION	DESIGNATION	BEZEICHNUNG
	1	93 60 10 22	1	Ghiera	Locking sleeve	Manchon de verrouill.	Sicherungsblech
	2	95 02 80 22	1	Rondella di sicurezza	Lock washer	Rondelle de sûreté	Sicherungsblech
	3	14 08 18 11	1	Corpo inter. frizione	Clutch gear	Pignon d'embrayage	Kupplungsrad
	4	90 70 62 35	1	Guarnizione	Gasket	Joint	Dichtung
	5	14 21 07 02	1	Albero frizione	Clutch shaft (C.S.)	Arbre d'embr. (A. d'E.)	Kupplungswelle (K.W.)
	6	90 70 62 03	2	Anello di tenuta A.F.	Seal ring (C.S.)	Bague d'étanch. (A. d'E.)	Dichtring für K.W.
	7	14 21 84 01	1	Rondella spandiolio	Oil spreading washer	Rondelle ép. d'huile	Ölwerferscheibe
	8	14 21 11 10	1	Ingranaggio rinvio (Z = 17)	Idle gear (Z = 17)	Pignon intermédiaire (Z = 17)	Zahnradvorgelege 17 Z
	9	14 21 12 01	1	Manicotto ad innesti	Coupling muff	Manchon à crabots	Eingreifmuffe
	10	13 21 15 00	1	Molla	Spring	Ressort	Feder
	11	14 21 16 00	1	Piattello	Cup	Coupelle	Manschette
	12	12 21 17 00	2	Semisettori	Semi-collar	Plaquette d'arrêt	Halbsektor
	13	14 21 94 01	1	Spessore	Spacer	Cale	Distanzstück
	14	14 21 05 13	1	Albero primario	Main shaft (M.S.)	Arbre primaire (A.P.)	Antriebwelle (An. W.)
	15	18 21 10 50	1	Rosetta di rasamento mm 2	Support washer mm 2	Rondelle d'appui mm 2	Stützscheibe mm 2
	15	18 21 10 51	1	Rosetta di rasamento mm 2,1	Support washer mm 2,1	Rondelle d'appui mm 2,1	Stützscheibe mm 2,1
	15	18 21 10 52	1	Rosetta di rasamento mm 2,2	Support washer mm 2,2	Rondelle d'appui mm 2,2	Stützscheibe mm 2,2
	15	18 21 10 54	1	Rosetta di rasamento mm 2,4	Support washer mm 2,4	Rondelle d'appui mm 2,4	Stützscheibe mm 2,4
	16	92 25 85 25	1	Cuscini rullini reggisp.	Needle bearing	Roulem. à aiguilles	Nadellager
	17	14 21 20 13	1	Ingranaggio 5a A.P. (Z = 28)	5th gear (M.S.) (Z = 28)	Pignon 5ème (A.P.) (Z = 28)	(An.W.) Schaltrad 5. Gang 28 Z
	18	92 29 67 50	1	Rullo di fermo boccola	Bush lock	Galet d'interlock	Buchseanlagstift
	19	94 32 10 51	1	Molla	Spring	Ressort	Feder
	20	92 25 10 30	4	Gabbia a rullini	Needle cage	Cage à aiguilles	Nadelkafig
	21	14 21 22 10	1	Boccola per 5a (A.P.)	5th gear bush (M.S.)	Douille 5ème (A.P.)	Buchse 5. Gang (An.W.)
	22	14 23 15 10	1	Manicotto scorrev. 5a	5th gear sliding sleeve	Baladeur 5ème	Schiebemuffe für 5. Gang
	23	14 21 36 12	1	Albero secondario	Layshaft (L.S.)	Arbre second. (A.S.)	Abtriebwelle (Ab.W.)
	24	14 21 74 10	1	Dado di sicur. A.S.	Nut (L.S.)	Ecrou (A.S.)	Bundmutter (Ab.W.)
	25	43 08 38 10	2 ÷ 4	Rosetta di aggiustaggio	Shim	Disque d'ajustement	Paßscheibe
	26	14 21 54 00	1	Rosetta di spallam.	Support washer	Rondelle d'épaulem.	Stützscheibe
	27	14 21 51 10	1	Ingranaggio 4a A.S. (Z = 20)	4th gear (L.S.) (Z = 20)	Pignon 4ème (A.S.) (Z = 20)	(Ab.W.) Schaltrad 4. Gang 20 Z
	28	92 25 90 17	1	Anello interno 4a	4th gear inner ring	Anneau int. 4ème	Innenring für 4. Gang



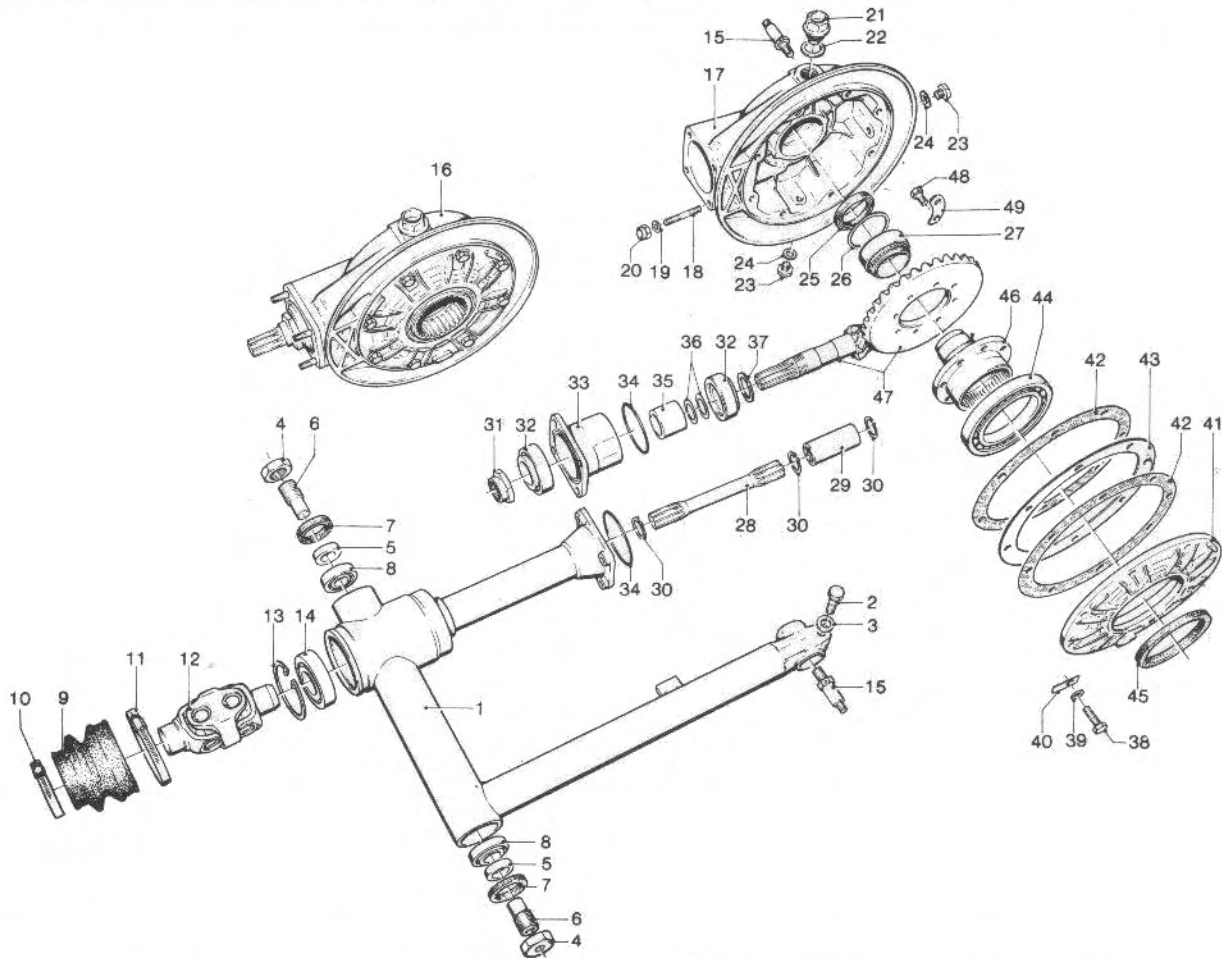
NOTE NOTES NOTES MARKE	POS. N.	N. COD. CODE No. No. CODE CODE Nr.	Q.tà Q.ty Q.té M.ge	DENOMINAZIONE	DESCRIPTION	DESIGNATION	BEZEICHNUNG
	29	92 25 10 22	1	Gabbia a rullini 4a A.S.	4th gear needle cage (L.S.)	Cage à aiguilles 4ème (A.S.)	Nadelkäfig für 4. Gang (Ab.W.)
	30	14 23 10 12	1	Manicotto 3a - 4a A.S.	3rd - 4th sliding sleeve (L.S.)	Baladeur 3ème - 4ème (A.S.)	Schiebenmuffe für 3-4 Gang (Ab.W.)
	31	14 23 25 12	1	Manicotto fisso A.S.	Sleeve (L.S.)	Manchon (A.S.)	Muffe (Ab.W.)
	32	14 21 80 11	1	Rosetta di spall. A.S.	Support washer (L.S.)	Rondelle d'appui (A.S.)	Stutzscheibe (Ab.W.)
	33	14 21 48 10	1	Ingranaggio 3a A.S. (Z - 22)	3rd gear (L.S.)	Pignon 3ème (Z - 22) (A.S.)	(Ab.W.) Schaltrad 3. Gang 22 Z
	34	14 21 30 01	3	Boccola 1a-2a-3a A.S.	1st-2nd-3rd bush (L.S.)	Douille 1ère-2ème 3ème (A.S.)	Büchse für 1.2.3. Gang (Ab.W.)
	35	14 21 45 10	1	Ingranaggio 2a A.S. (Z - 25)	2nd gear (L.S.)	Pignon 2ème (Z - 25) (A.S.)	(Ab.W.) Schaltrad 2. Gang 25 Z
	36	14 21 93 10	1	Dado bloccaggio A.S.	Locking nut (L.S.)	Ecrou de serrage (A.S.)	Bundmutter (Ab.W.)
	37	92 29 57 02	1	Sfera	Ball	Bille	Kugel
	38	14 21 73 00	1	Rosetta di spallam.	Support washer	Rondelle d'épaulem.	Stutzscheibe
	39	14 21 52 13	1	Ingranaggio 5a A.S. (Z - 21)	5th gear (L.S.)	Pignon 5ème (Z - 21) (A.S.)	(Ab.W.) Schaltrad 5. Gang 21 Z
	40	14 21 42 10	1	Ingranaggio 1a A.S. (Z - 28)	1st gear (L.S.)	Pignon 1ère (Z - 28) (A.S.)	(Ab.W.) Schaltrad 1. Gang 28 Z
	41	14 23 07 11	1	Manicotto scorrevole 1a e 2a A.S.	1st-2nd sliding sleeve (L.S.)	Baladeur 1ère-2ème (A.S.)	Schiebenmuffe für 1.-2. Gang (Ab.W.)
	42	14 23 44 05	1	Tamburo scanalato	Splined drum	Tambour de comm.	Keilwelle
	43	14 23 55 00	1	Rosetta	Washer	Rondelle	Scheibe
	44	55 23 50 00	3	Rosetta di aggiustaggio mm 0,6	Shim mm 0.6	Rondelle d'ajustement mm 0,6	Passscheibe mm 0,6
	44	55 23 50 01	3	Rosetta di aggiustaggio mm 0,8	Shim mm 0.8	Rondelle d'ajustement mm 0,8	Passscheibe mm 0,8
	44	55 23 50 02	3	Rosetta di aggiustaggio mm 1	Shim mm 1	Rondelle d'ajustement mm 1	Passscheibe mm 1
	44	55 23 50 03	3	Rosetta di aggiustaggio mm 1,2	Shim mm 1.2	Rondelle d'ajustement mm 1,2	Passscheibe mm 1,2
	45	14 23 43 00	1	Asta	Rod	Tige	Keilwellestange
	46	14 23 46 00	4	Piolo per tamburo	Drum pin	Goupille de tambour	Keilwellestift
	47	14 23 24 00	1	Asta per forcellini	Shiftfork rod	Axe de fourchette	Schaltgabelstange
	48	14 23 05 01	2	Forcellini 1a-2a-3a-4a	1st-2nd-3rd-4th shift fork	Fourchette 1ère-2ème 3ème-4ème	Schaltgabel für 1-2-3-4 Gang
	49	14 23 12 01	1	Forcellino 5a	5th shiftfork	Fourchette 5ème	Schaltgabel für 5. Gabel



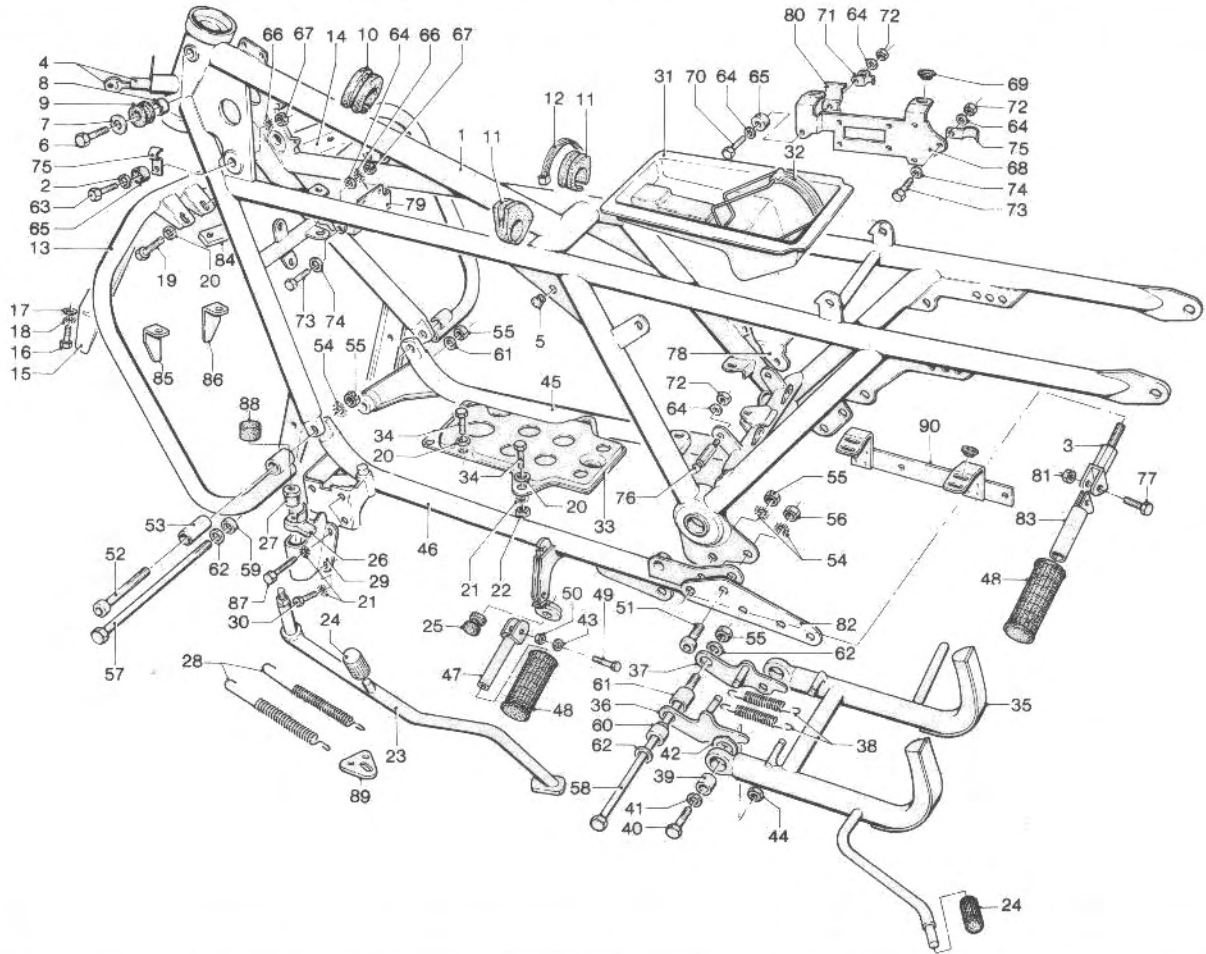
NOTE NOTES NOTES MARKE	POS. N.	N. COD. CODE No. No. CODE CODE Nr	Q.tà Q.ty Q.té M.ge	DENOMINAZIONE	DESCRIPTION	DESIGNATION	BEZEICHNUNG
	50	14 23 62 02	1	Preselettore completo	Preselection, compl.	Préselecteur complet	Vorwahl. kpl.
	51	14 23 82 01	1	Molla richiamo presel.	Return spring	Ressort de rappel	Rückzugfeder
	52	98 05 23 25	1	Vite	Screw	Vis	Schraube
	53	95 02 11 06	1	Rosetta dentellata	Tooth washer	Rondelle dentée	Zahnscheibe
	54	18 25 82 01	1	Leva com. settore	Shift finger	Doigt de sélection	Schaltfinger
	55	95 50 02 22	1	Copiglia	Split pin	Goupille	Splint
	56	61 01 38 00	1	Rosetta	Washer	Rondelle	Scheibe
	57	95 12 91 10	1	Rosetta antivibrante	Spring washer	Rondelle élastique	Federscheibe
	58	95 78 02 65	1	Spina	Pin	Clavette	Stift
	59	12 62 68 00	1	Forcellino	Fork	Fourchette	Gabel
	60	92 60 22 06	1	Dado	Nut	Ecrou	Mutter
	61	18 25 78 01	1	Tirante completo	Shift rod	Tige de commande	Schaltstange
	62	14 25 10 01	1	Pedalino gomma	Rubber protection	Couvre-pédale	Gummiüberzug
	63	18 25 08 01	1	Leva comando com.	Shift lever assy	Levier de comm. com.	Schalthebel, kpl.
	64	17 25 20 50	2	Boccola	Bush	Douille	Buchse
	65	92 69 11 20	1	Dado	Nut	Ecrou	Mutter
	66	17 25 27 50	1	Rosetta elast. ondul.	Spring washer	Rondelle élastique	Federring
	67	18 25 23 60	1	Vite	Screw	Vis	Schraube
	68	90 70 62 19	1	Guarnizione OR	Gasket	Joint	Dichtung
	69	18 25 81 01	1	Snodo sferico tir.	Gearshift lever ball	Rotule du levier B.V.	Schalthebelgriff
	70	92 63 01 06	1	Dado	Nut	Ecrou	Mutter



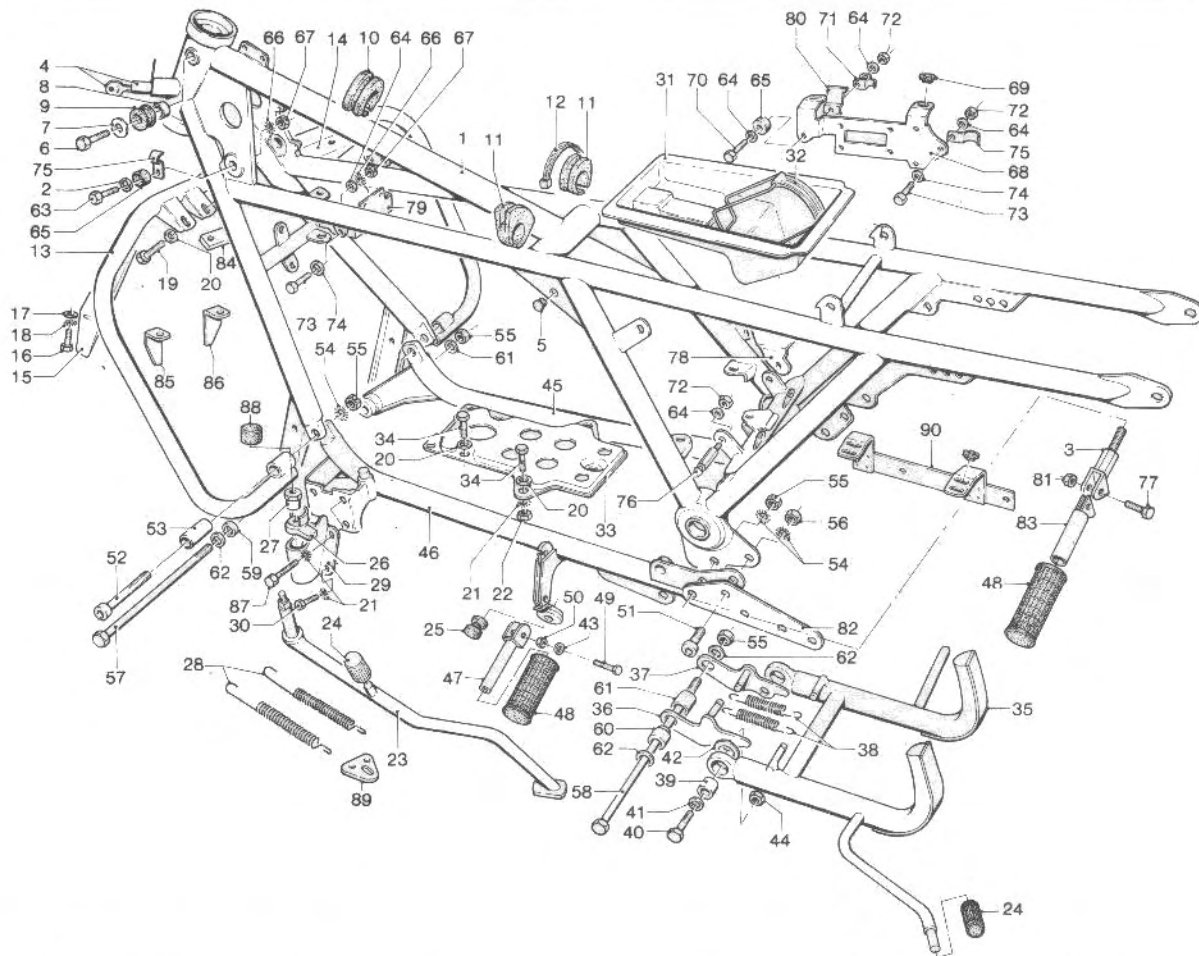
NOTE NOTES NOTES MARKE	POS. N.	N. COD. CODE No. No. CODE CODE Nr.	Q.tà Q.ty Q.té M.ge	DENOMINAZIONE	DESCRIPTION	DESIGNATION	BEZEICHNUNG
	1	18 54 02 00	1	Forcellone oscillante	Rear fork	Fourche AR	Hintergabel
	2	98 06 25 35	1	Vite	Screw	Vis	Schraube
	3	95 00 52 10	1	Rosetta	Washer	Rondelle	Scheibe
	4	14 54 78 00	2	Dado	Nut	Ecrou	Mutter
	5	12 54 72 00	2	Distanziale	Spacer	Entretoise	Distanzstück
	6	14 54 70 01	2	Perno	Pin	Goujon	Stift
	7	90 40 30 40	2	Anello di tenuta	Seal ring	Bague d'étanchéité	Dichtring
	8	92 24 92 16	2	Cuscinetto	Bearing	Roulement	Lager
	9	18 54 80 00	1	Soffietto di protezione	Bellows	Soufflet	Faltenbag
	10	12 54 84 01	1	Fascetta piccola	Clamp	Collier	Schelle
	11	12 54 82 01	1	Fascetta grande	Clamp	Collier	Schelle
	12	17 32 80 50	1	Doppio giunto cardan UNI CARDAN	UNI CARDAN double joint	Joifit double UNI CARDAN	UNI CARDAN Doppelverbindung
	13	90 27 20 62	1	Anello seeger	Circlip	Jonc d'arrêt	Sicherungsring
	14	92 20 42 30	1	Cuscinetto a sfere	Ball bearing	Roulement à billes	Kugellager
	15	12 55 52 01	2	Perno inferiore	Pin	Goujon	Stift
	16	17 35 02 50	1	Scatola trasm. compl.	Transmission compl.	Transmission complète	Kraftübertragung, kpl.
	17	17 35 03 00	1	Scatola trasmissione	Transm. housing	Carter de transmission	K übertragungsgehäuse
	18	96 50 80 45	4	Vite prigioniera	Stud	Goujon	Stiftschraube
	19	14 61 59 01	4	Rosetta	Washer	Rondelle	Scheibe
	20	92 78 10 81	4	Dado cieco	Nut	Ecrou borgne	Mutter
	21	12 00 37 02	1	Tappo olio	Oil plug	Bouchon d'huile	Ölschraube
	22	95 10 07 09	1	Rosetta alluminio	Washer	Rondelle	Scheibe
	23	95 98 06 10	2	Tappo livello-scar. olio	Level and drain plug	Bouch. niveau et vid.	Ölmess und Ablasschr.
	24	10 52 89 00	2	Rosetta alluminio	Washer	Rondelle	Scheibe
	25	90 40 38 50	1	Anello di tenuta	Seal ring	Bague d'étanchéité	Dichtring
	26	12 35 11 00	1	Anello tenuta gabbia	Seal ring	Bague d'étanchéité	Dichtring
	27	92 25 43 40	1	Cuscinetto a rullini	Needle bearing	Roulement à aiguilles	Nadellager
	28	12 32 63 00	1	Albero trasmissione	Drive shaft	Arbre de transmission	Gelenkwelle
	29	12 32 77 00	1	Manicotto per albero	Sleeve	Manchon	Keilbüchse
	30	90 27 10 20	3	Anello elastico	Circlip	Jonc d'arrêt	Sicherungsring
	31	12 35 67 00	1	Dado	Nut	Ecrou	Mutter
	32	92 24 92 27	2	Cuscinetti a rulli con.	Taper roller bearing	Roulement conique	Kegelrollerlager
	33	18 35 24 00	1	Custodia	Flange	Flasque	Flansch
	34	90 70 65 84	2	Guarnizione	Gasket	Joint	Dichtung
	35	18 35 51 00	1	Distanziale	Spacer	Entretoise	Distanzstück
	36	12 35 52 02	1 ÷ 2	Rosetta regolazione mm 0.1	Shim mm 0.1	Rondelle d'ajustement mm 0.1	Passscheibe mm 0.1

1000 G5Tavola - Drawing
Table - Bild**9**FORCELL. OSCILL. - TRASM. POST.
REAR FORK AND TRANSMISSION
FOURCHE ET TRANSMISSION AR
HINTERGAB. - KRAFTÜBERTRAG.SEIMM
MOTO GUZZI

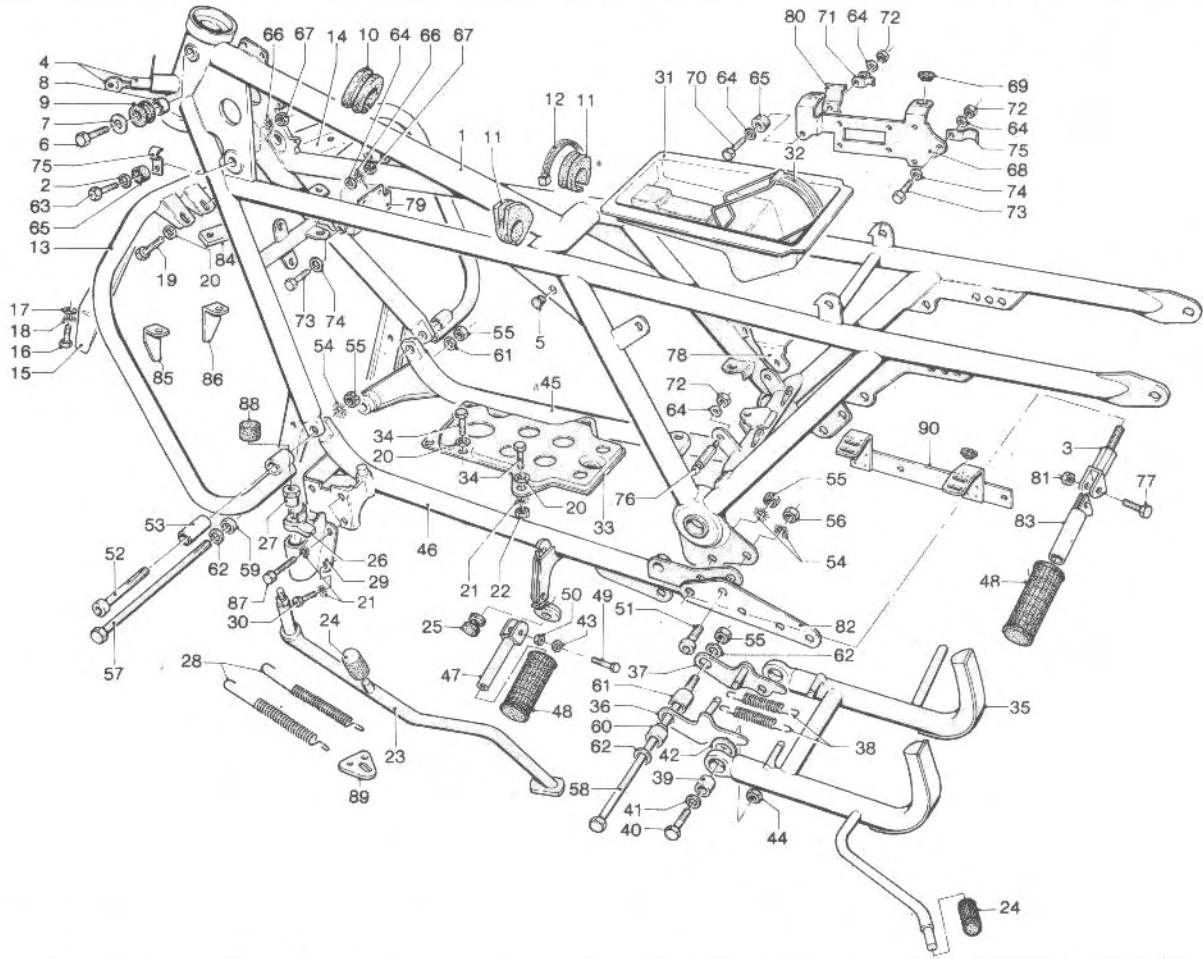
NOTE NOTES NOTES MARKE	POS. N.	N. COD. CODE No. No. CODE CODE Nr.	Q.tà Q.ty Q.té M.ge	DENOMINAZIONE	DESCRIPTION	DESIGNATION	BEZEICHNUNG
	36	12 35 52 03	1 ÷ 11	Rosetta regolazione mm 0,15	Shim mm 0,15	Rondelle d'ajustement mm 0,15	Passscheibe mm 0,15
	37	12 35 53 01	1 ÷ 2	Spessore per pignone mm 1	Pinion shim mm 1	Cale d'épaisseur mm 1	Ausgleichscheibe mm 1
	37	12 35 53 02	1 ÷ 2	Spessore per pignone mm 1,2	Pinion shim mm 1,2	Cale d'épaisseur mm 1,2	Ausgleichscheibe mm 1,2
	37	12 35 53 03	1 ÷ 2	Spessore per pignone mm 1,5	Pinion shim mm 1,5	Cale d'épaisseur mm 1,5	Ausgleichscheibe mm 1,5
	38	98 05 44 25	8	Vite	Screw	Vis	Schraube
	39	61 27 03 00	8	Rosetta	Washer	Rondelle	Scheibe
	40	95 18 70 08	8	Piastrina di sicurezza	Lock plate	Plaque d'arrêt	Sicherungsblech
	41	17 35 04 00	1	Flangia	Flange	Flasque	Flansch
	42	17 35 07 00	2	Guarnizione	Gasket	Joint	Dichtung
	43	17 35 54 00	1	Spessore di regolazione mm 0,8	Shim mm 0,8	Cale d'épaisseur mm 0,8	Ausgleichscheibe mm 0,8
	43	17 35 54 02	1	Spessore di regolazione mm 0,9	Shim mm 0,9	Cale d'épaisseur mm 0,9	Ausgleichscheibe mm 0,9
	43	17 35 54 04	1	Spessore di regolazione mm 1	Shim mm 1	Cale d'épaisseur mm 1	Ausgleichscheibe mm 1
	43	17 35 54 06	1	Spessore di regolazione mm 1,1	Shim mm 1,1	Cale d'épaisseur mm 1,1	Ausgleichscheibe mm 1,1
	43	17 35 54 08	1	Spessore di regolazione mm 1,2	Shim mm 1,2	Cale d'épaisseur mm 1,2	Ausgleichscheibe mm 1,2
	43	17 35 54 10	1	Spessore di regolazione mm 1,3	Shim mm 1,3	Cale d'épaisseur mm 1,3	Ausgleichscheibe mm 1,3
	44	92 20 10 70	1	Cuscinetto a sfere	Ball bearing	Roulement à billes	Kugellager
	45	90 40 70 85	1	Anello di tenuta	Seal ring	Bague d'étanchéité	Dichtring
	46	17 35 14 00	1	Perno forato	Drive flange	Bride de traction	Mitnehmerflansch
	47	17 35 46 50	1	Coppia conica 7/33	Bevel gear 7/33	Couple conique 7/33	Tellerradsatz 7/33
	48	12 35 63 00	8	Vite	Screw	Vis	Schraube
	49	12 35 64 00	4	Piastrina di sicurezza	Lock plate	Plaque d'arrêt	Sicherungsblech



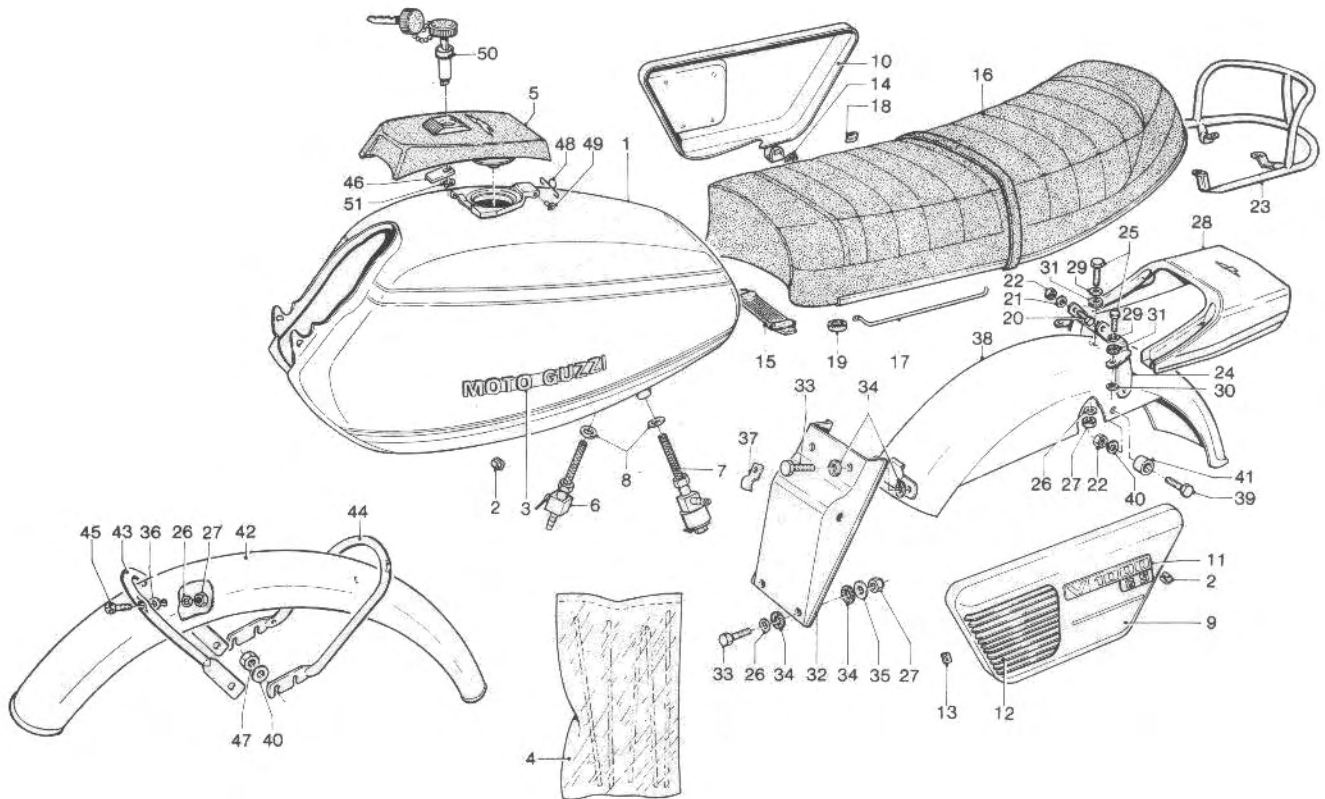
NOTE NOTES NOTES MARKE	POS. N.	N. COD. CODE No. No. CODE CODE Nr.	Q.tà Q.ty Q.té M.ge	DENOMINAZIONE	DESCRIPTION	DESIGNATION	BEZEICHNUNG
	1	17 40 01 50	1	Telaio	Frame	Châssis	Rahmen
	2	95 10 01 21	2	Rosetta piana	Washer	Rondelle	Scheibe
	3	18 44 54 60	2	Supporto pedana	Foot-rest holder	Support repose-pieds	Fussraste Halter
	4	12 78 27 80	1	Antifurto completo	Steering lock, compl.	Serrure de direct. compl.	Lenkschloss, kpl.
	5	93 18 00 80	4	Tappo fori telaio	Plug	Bouchon	Stopfen
	6	98 06 44 25	2	Vite	Screw	Vis	Schraube
	7	95 11 02 55	2	Rosetta piana	Washer	Rondelle	Scheibe
	8	91 18 08 10	2	Distanziale	Spacer	Entretoise	Distanzstück
	9	14 10 34 00	2	Boccola	Bush	Douille	Buchse
	10	14 10 71 00	1	Tampone centrale	Rubber buffer	Tampon de caoutch.	Gummipuffer
	11	14 10 90 00	2	Tampone laterale	Rubber buffer	Tampon de caoutch.	Gummipuffer
	12	14 60 96 50	3	Fascetta	Clamp	Collier	Schelle
	13	18 45 02 50	1	Paraurti anter.	Front bumper	Pare-choc AV	Stossstange, vord.
	14	18 44 94 56	1	Deflettore ant. dx.	R.H. front baffle	Bavolet AV D (argent clair) compl.	Vord. Deckblech R. (Hellsilber) kpl.
	14	18 44 94 57	1	Deflettore ant. dx. (nero) compl.	R.H. front baffle (black) compl.	Bavolet AV D (noir) compl.	Vord. Deckblech R. (schwarz), kpl.
	15	18 44 96 56	1	Deflettore ant. sx. (argento chiaro) compl.	L.H. front baffle (light silver) compl.	Bavolet AV G (argent clair) compl.	Vord. Deckblech L. (Hellsilber), kpl.
	15	18 44 96 57	1	Deflettore ant. sx. (nero) compl.	L.H. front baffle (black) compl.	Bavolet AV G (noir) compl.	Vord. Deckblech L. (schwarz), kpl.
	16	98 05 43 25	4	Vite	Screw	Vis	Schraube
	17	95 10 01 39	10	Rosetta	Washer	Rondelle	Scheibe
	18	95 12 00 65	4	Rosetta elastica	Spring washer	Rondelle élastique	Federring
	19	98 05 44 20	2	Vite	Screw	Vis	Schraube
	20	95 00 42 08	9	Rosetta piana	Washer	Rondelle	Scheibe
	21	95 02 11 08	6	Rosetta elastica	Spring washer	Rondelle élastique	Federring
	22	92 60 22 08	6	Dado	Nut	Ecrou	Mutter
	23	18 43 20 60	1	Braccio laterale	Side stand	Bequille latérale	Seitenständer
	24	13 43 26 40	2	Pedalino gomma	Foot rest, rubber	Caoutch. de rep.-pieds	Fussrastgummi
	25	12 43 30 00	1	Tampone	Rubber buffer	Tampon en caoutch.	Gummipuffer
	26	18 43 24 50	1	Orecchia fermo braccio	Retainer	Arrêteur	Verschluss
	27	18 43 28 51	1	Dado	Nut	Ecrou	Mutter
	28	14 43 40 00	2	Molla	Spring	Ressort	Feder
	29	13 43 34 40	1	Bloccetto sostegno	Support	Support	Halter
	30	98 06 44 18	4	Vite	Screw	Vis	Schraube
	31	17 47 96 50	1	Contenitore attrezzi	Tool box	Porte-outils	Werkzeugbehälter

1000 G5Tavola - Drawing
Table - Bild**10**TELAIO
FRAME
CHASSIS
RAHMENSEIMM
MOTO GUZZI

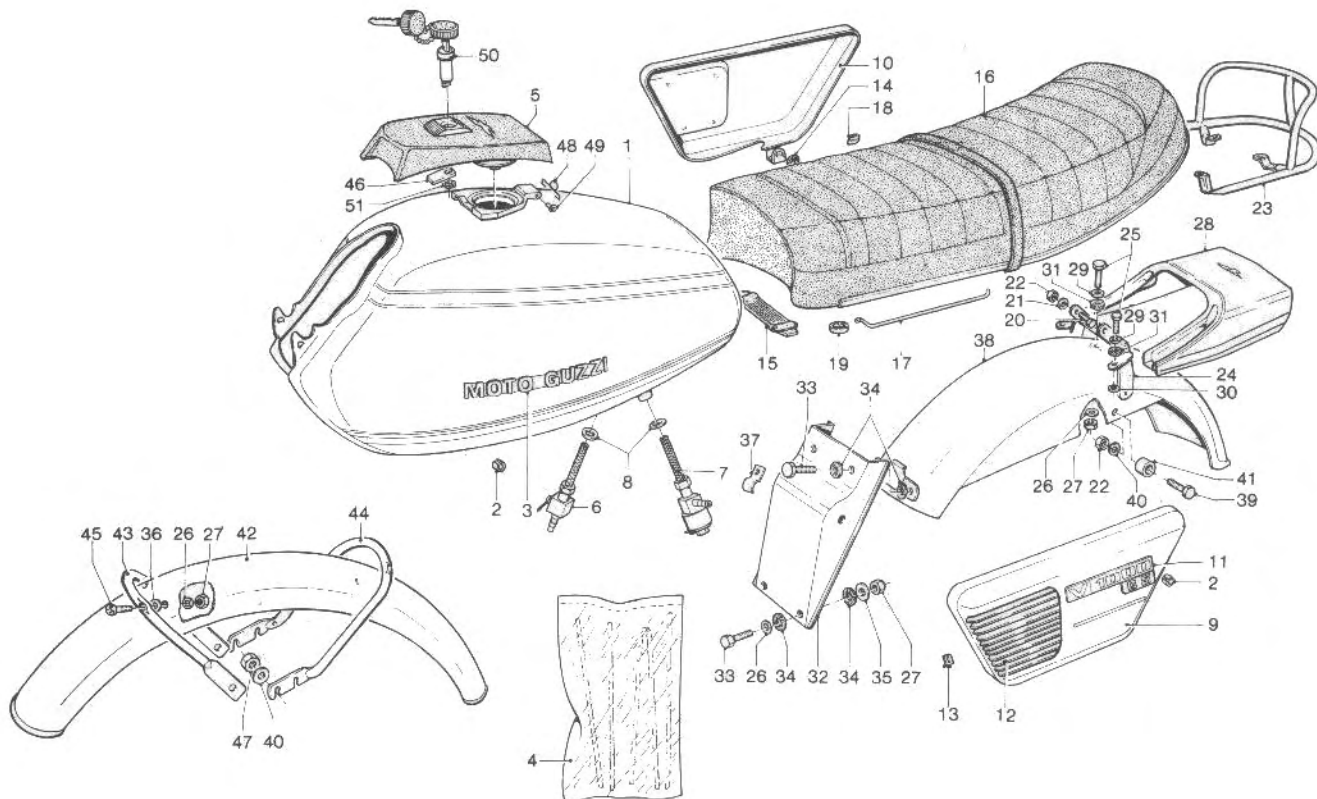
NOTE NOTES NOTES MARKE	POS. N.	N. COD. CODE No. No. CODE CODE Nr.	Q.tà Q.ty Q.té M.ge	DENOMINAZIONE	DESCRIPTION	DESIGNATION	BEZEICHNUNG
	32	17 47 97 50	1	Staffa fiss. cont.	Bracket	Etrier	Stütze
	33	14 41 82 00	1	Piastra porta batteria	Battery plate	Plaque de batterie	Platte für Batterie
	34	98 05 44 16	7	Vite	Screw	Vis	Schraube
	35	18 43 03 60	1	Cavalletto	Stand	Bequille	Ständer
	36	14 43 32 00	1	Piastra sx	L.H. plate	Plaque G	Platte L.
	37	14 43 29 00	1	Piastra dx.	R.H. plate	Plaque D	Platte R.
	38	18 43 40 60	2	Molla	Spring	Ressort	Feder
	39	14 43 35 00	2	Boccoia	Bush	Douille	Buchse
	40	98 05 25 45	2	Vite	Screw	Vis	Schraube
	41	95 00 42 10	2	Rosetta piana	Washer	Rondelle	Scheibe
	42	14 43 34 00	2	Rosetta elastica	Spring washer	Rondelle élastique	Federring
	43	95 00 02 08	2	Ranella	Washer	Rondelle	Scheibe
	44	92 63 01 10	2	Dado	Nut	Ecrou	Mutter
	45	18 42 03 60	1	Braccio dx	R.H. arm	Bras D	Arm R.
	46	18 42 21 60	1	Braccio sx	L.H. arm	Bras G	Arm L.
	47	18 44 03 60	2	Appoggiapiedi	Foot rest	Repose-pieds	Fussraste
	48	14 44 32 00	4	Pedalino in gomma	Foot rest, rubber	Caoutch. de rep.-pieds	Fussrastegummi
	49	98 05 44 30	2	Vite	Screw	Vis	Schraube
	50	92 60 22 08	2	Dado	Nut	Ecrou	Mutter
	51	98 66 36 30	2	Vite	Screw	Vis	Schraube
	52	98 66 16 97	2	Vite	Screw	Vis	Schraube
	53	91 18 13 46	2	Distanziale	Spacer	Entretoise	Distanzstück
	54	95 02 11 12	6	Rosetta elas. dent.	Tooth washer	Rondelle dentée	Zahnscheibe
	55	92 60 23 12	8	Dado	Nut	Ecrou	Mutter
	56	92 60 25 12	1	Dado	Nut	Ecrou	Mutter
	57	14 42 95 05	1	Tirante anteriore	Front bolt	Boulon AV	Vorne Bolzen
	58	14 42 96 00	1	Tirante posteriore	Rear bolt	Boulon AR	Hintere Bolzen
	59	91 18 13 09	1	Distanziale	Spacer	Entretoise	Distanzstück
	60	14 42 99 00	2	Distanziale	Spacer	Entretoise	Distanzstück
	61	14 42 98 00	2	Distanziale	Spacer	Entretoise	Distanzstück
	62	95 00 02 13	3	Rosetta	Washer	Rondelle	Scheibe
	63	98 05 43 20	1	Vite	Screw	Vis	Schraube
	64	95 00 02 06	7	Rosetta piana	Washer	Rondelle	Scheibe
	65	14 10 38 00	4	Tampone	Rubber ring	Disque en caoutch.	Gummiring
	66	95 02 11 06	6	Rosetta elast. dent.	Tooth washer	Rondelle dentée	Zahnscheibe
	67	92 60 22 06	6	Dado	Nut	Ecrou	Mutter



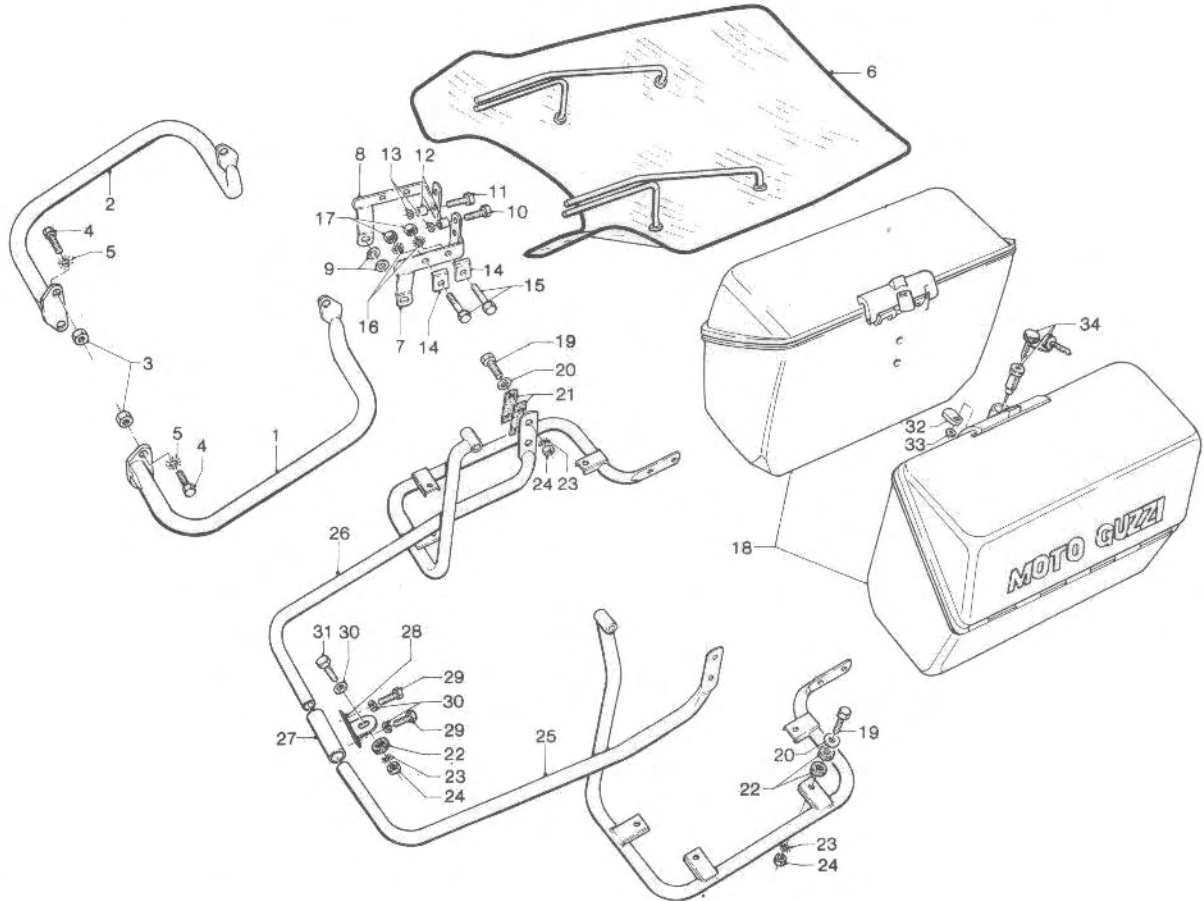
NOTE NOTES NOTES MARKE	POS. N.	N. COD. CODE No. No. CODE CODE Nr.	Q.tà Q.ty Q.té M.ge	DENOMINAZIONE	DESCRIPTION	DESIGNATION	BEZEICHNUNG
	68	17 42 48 50	1	Piastra dx	R.H. support plate	Equerre de soutien D	Abstützwinkel R.
	69	39 46 16 00	4	Gommino	Rubber	Caoutchouc	Gummistück
	70	98 05 23 25	2	Vite anteriore	Front screw	Vis AV	Vord. Schraube
	71	93 30 11 75	1	Cavallotto passacavo	Clamp	Guide câble	Rohrschelle
	72	92 63 01 06	6	Dado autobloccante	Self-locking nut	Ecrou à autoblocage	Hutmutter
	73	98 05 43 16	2	Vite	Screw	Vis	Schraube
	74	95 10 01 21	2	Rosetta interna	Inside washer	Rondelle intér.	Innenscheibe
	75	93 30 13 13	2	Cavallotto passacavo	Clamp	Guide câble	Rohrschelle
	76	17 47 85 50	2	Colonna	Pin	Goujon	Stift
	77	98 05 23 25	2	Vite	Screw	Vis	Schraube
	78	17 70 99 50	1	Piastrina per telerult.	Support plate	Plaque de support	Abstützblech
	79	17 70 41 50	1	Supporto regolatore	Regulator support	Support de régulateur	Reglunghalter
	80	17 75 04 00	2	Squadretta	Support	Equerre	Abstützwinkel
	81	92 60 22 06	2	Dado	Nut	Ecrou	Mutter
	82	18 42 39 50	2	Piastra fiss. paraurti	Plate	Plaque	Abstützblech
	83	14 44 13 50	2	Pedalino app.-piedi	Foot rest arm	Bras de rep.-pieds	Fussrastearm
	84	17 45 17 50	1	Piastrina	Plate	Plaque	Plättchen
	85	18 44 97 55	2	Squadretta super.	Support	Equerre	Halter
	86	18 44 98 55	2	Squadretta infer.	Support	Equerre	Halter
	87	98 06 24 40	1	Vite sup. fiss. blocc.	Screw	Vis	Schraube
	88	14 49 85 50	1	Tappo	Plug	Bouchon	Stopfen
	89	18 43 27 60	1	Piastrina agg. molla	Plate	Plaque	Plättchen
	90	17 42 40 50	1	Piastra sx.	L.H. support plate	Equerre de soutien G	Abstützwinkel L.



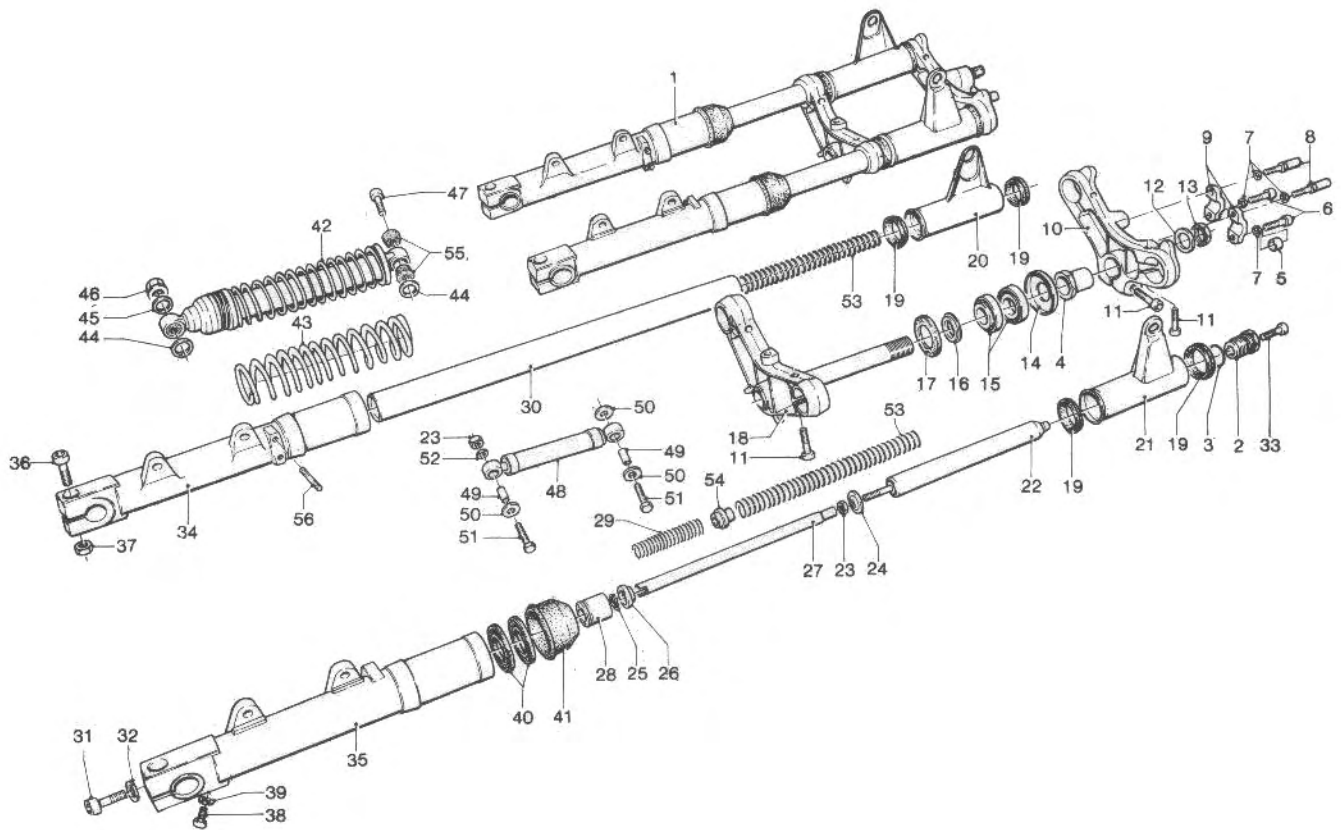
NOTE NOTES NOTES MARKE	POS. N.	N. COD. CODE No. No. CODE CODE Nr.	Q.tà Q.ty Q.té M.ge	DENOMINAZIONE	DESCRIPTION	DESIGNATION	BEZEICHNUNG
	1	18 10 02 02	1	Serbatoio (argento chiaro)	Fuel tank (light silver)	Réservoir (argent clair)	Kraftstoffbehälter (Hellsilber)
	1	18 10 02 03	1	Serbatoio (nero)	Fuel tank (black)	Réservoir (noir)	Kraftstoffbeh. (schwarz)
	2	14 10 51 00	8	Fermaglio	Clip	Etrier	Clip
	3	14 91 73 00	2	Marchio	Mark	Marque	Marke
	4	18 92 33 02	1	Gruppo decalcomanie (nero)	Moulding set (black)	Kit de moulure (noir)	Abdeckleistsatz (schwarz)
	4	18 92 33 01	1	Gruppo decalcomanie (bianco)	Moulding set (white)	Kit de moulure (blanc)	Abdeckleistsatz (weiss)
	5	18 10 39 01	1	Tappo serbatoio	Filler cap	Bouchon de rempliss.	Tankverschluss
	6	17 10 54 60	1	Rubinetto dx	R.H. fuel tap	Robinet D	Kraftstoffhahn, R.
	7	14 10 54 06	1	Elettrovalvola	Electrovalve	Electro-soupape	Elektroventil
	8	90 71 41 03	2	Guarnizione	Gasket	Joint	Dichtung
	9	18 47 63 02	1	Coperchio (argento chiaro) sx	L.H. cover (light silver)	Couvercle G (argent clair)	Deckel L. (Hellsilber)
	9	18 47 63 03	1	Coperchio sx (nero)	L.H. cover (black)	Couvercle G (noir)	Deckel L. (schwarz)
	10	18 47 62 02	1	Coperchio (argento chiaro) dx	R.H. cover (light silver)	Couvercle D (argent clair)	Deckel R. (Hellsilber)
	10	18 47 62 03	1	Coperchio dx (nero)	R.H. cover (black)	Couvercle D (noir)	Deckel R. (schwarz)
	11	18 92 20 01	2	Marchio	Mark	Marque	Marke
	12	17 92 51 50	1	Griglia sx	L.H. cover grill	Grille de couvercle G	Deckelgrill L.
	12	17 92 50 50	1	Griglia dx	R.H. cover grill	Grille de couvercle D	Deckelgrill R.
	13	39 92 22 00	8	Fermaglio	Clip	Etrier	Bajonett-Clip
	14	91 55 10 82	2	Gommino inferiore	Rubber	Caoutchouc	Gummi
	15	14 10 26 00	1	Staffa fiss. serb.	Belt	Sangle	Gurtband
	16	18 46 05 50	1	Sella	Saddle	Selle	Sattel
	17	17 46 27 50	1	Bacchetta	Support rod	Tringle de support	Faststange
	18	14 46 14 00	1	Impugnatura	Handgrip	Poignée	Handgriff
	19	14 10 38 00	4	Tampone	Rubber ring	Disque en caoutch.	Gummiring
	20	98 05 44 22	2	Vite	Screw	Vis	Schraube
	21	61 27 03 00	2	Rosetta elastica	Spring washer	Rondelle élastique	Federring
	22	92 63 01 08	4	Dado autobloccante	Self-locking nut	Ecrou à autoblocage	Hutmutter
	23	18 46 43 50	1	Maniglia	Handle	Poignée de levage	Hubhandgriff
	24	18 46 23 50	1	Mensola	Bracket	Support	Stütze
	25	98 05 43 16	3	Vite	Screw	Vis	Schraube
	26	95 00 02 06	14	Rosetta piana	Washer	Rondelle	Scheibe
	27	92 63 01 06	8	Dado autobloccante	Self-locking nut	Ecrou à autoblocage	Hutmutter
	28	18 47 26 51	1	Cofanetto posteriore (argento chiaro)	Tail piece (light silver)	Pièce AR (argent clair)	Hinterstück (Hellsilber)



NOTE NOTES NOTES MARKE	POS. N.	N. COD. CODE No. No. CODE CODE Nr.	Q.tà Q.ty Q.té M.ge	DENOMINAZIONE	DESCRIPTION	DESIGNATION	BEZEICHNUNG
	28	18 47 26 52	1	Cofanetto posteriore (nero)	Tail piece (black)	Pièce AR (noir)	Hinterstück (schwarz)
	29	95 10 01 39	2	Rosetta piana esterna	Outside washer	Rondelle extér.	Aussenscheibe
	30	95 10 01 43	2	Rosetta piana interna	Inside washer	Rondelle intér.	Innenscheibe
	31	43 26 33 25	2	Tampone in gomma	Rubber ring	Disque en caoutch.	Gummiring
	32	17 43 87 50	1	Paraspruzzi sul telaio	Wheelshield	Cache-roue	Zierdeckel
	33	98 05 43 20	4	Vite	Screw	Vis	Schraube
	34	93 11 00 60	8	Spessore	Rubber spacer	Entretoise en caoutch.	Gummistück
	35	95 10 01 41	2	Rosetta piana	Washer	Rondelle	Scheibe
	36	95 00 62 06	4	Rosetta	Washer	Rondelle	Scheibe
	37	93 30 13 13	1	Cavallotto passacavo	Bracket	Etrier	Bügel
	38	18 43 70 50	1	Parafango posteriore	Rear fender	Aile AR	Hint. Kotflügel
	39	98 05 24 65	2	Vite	Screw	Vis	Schraube
	40	95 00 02 08	6	Rosetta	Washer	Rondelle	Scheibe
	41	91 18 08 16	2	Rocchetto di spessore	Spacer ring	Entretoise	Distanzrohr
	42	17 43 44 50	1	Parafango anteriore	Front fender	Aile AV	Vorne Kotflügel
	43	17 43 46 50	1	Braccio anteriore	Front arm	Bras AV	Vorne Arm
	44	17 43 50 60	1	Braccio posteriore	Rear arm	Bras AR	Hint. Arm
	45	98 27 06 26	4	Vite	Screw	Vis	Schraube
	46	18 10 50 01	1	Chiavistello	Clamp	Collier	Bügel
	47	92 60 22 08	4	Dado	Nut	Ecrou	Mutter
	48	19 10 47 51	1	Molla	Spring	Ressort	Feder
	49	91 85 73 10	2	Rivet	Rivet	Rivet	Niet
	50	19 10 51 50	1	Serratura	Lock	Serrure	Schloss
	51	19 10 49 50	1	Fascetta elastica	Clamp	Collier	Schelle

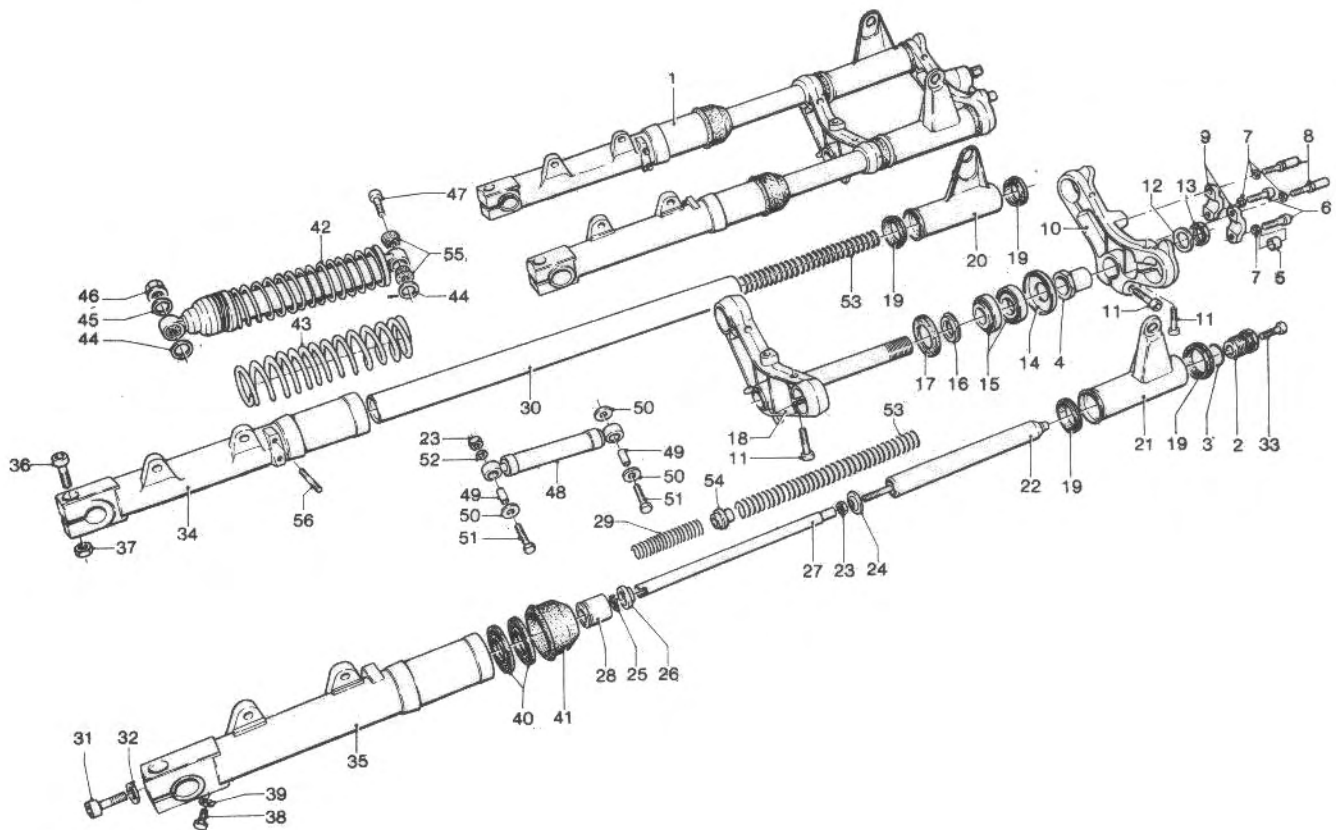


NOTE NOTES NOTES MARKE	POS. N.	N. COD. CODE No. No. CODE CODE Nr.	Q.tà Q.ty Q.té M.ge	DENOMINAZIONE	DESCRIPTION	DESIGNATION	BEZEICHNUNG
	1	18 45 82 51	1	Paraurti post. dx. comp.	R.H. rear bar, compl.	Pare-choc AR D, compl.	Hinterstossstange, R. kpl.
	2	18 45 88 51	1	Paraurti post. sx. comp.	L.H. rear bar, compl.	Pare-choc AR G, compl.	Hinterstossstange, L. kpl.
	3	92 60 32 08	4	Dado	Nut	Ecrou	Mutter
	4	98 06 44 25	4	Vite	Screw	Vis	Schraube
	5	95 02 11 08	4	Rosetta dentellata	Tooth washer	Rondelle dentée	Zahnscheibe
	6	18 57 72 51	1	Parabrezza e supp. com.	Windshield - bracket, c.	Pare-brise et supp. com.	Windschutz u. Träger. kpl.
	7	18 50 68 51	1	Staffa dx.	R.H. bracket	Patte D	Bügel, R.
	8	18 50 69 51	1	Staffa sx.	L.H. bracket	Patte G	Bügel, L.
	9	95 10 03 17	2	Rosetta di spessore	Shim	Rondelle d'épaisseur	Passscheibe
	10	98 06 24 30	2	Vite corta	Short screw	Vis courte	Kurze Schraube
	11	98 06 24 40	2	Vite lunga	Long screw	Vis longue	Lange Schraube
	12	91 18 09 11	4	Distanziale	Spacer	Entretoise	Distanzstück
	13	95 00 62 08	4	Rosetta	Washer	Rondelle	Scheibe
	14	18 57 84 51	4	Staffetta	Plate	Plaquette	Blech
	15	98 07 44 25	4	Vite	Screw	Vis	Schraube
	16	95 02 11 08	4	Rosetta	Washer	Rondelle	Scheibe
	17	92 60 12 08	4	Dado	Nut	Ecrou	Mutter
	18	18 48 25 57	2	Borse laterali dx. e sx.	R.H. and L.H. bag	Sac D et G	Tasche R. und L.
	19	98 05 43 20	12	Vite	Screw	Vis	Schraube
	20	95 10 01 41	12	Rosetta interna	Internal washer	Rondelle intérieure	Innenscheibe
	21	10 48 82 00	4	Spessore	Spacer	Entretoise	Distanzstück
	22	93 11 00 60	17	Spessore in gomma	Rubber spacer	Entretoise en caoutch.	Gummistück
	23	95 02 11 06	13	Rosetta elast. dent.	Ext. spring washer	Rondelle élast. extér.	Aussenfederring
	24	92 60 22 06	13	Dado	Nut	Ecrou	Mutter
	25	18 48 50 40	1	Portaborsa dx.	R.H. bag holder	Porte-sac D	Tascheträger, R.
	26	18 48 65 40	1	Portaborsa sx.	L.H. bag holder	Porte-sac G	Tascheträger, L.
	27	18 48 77 40	1	Morsetto	Clamp	Attache	Halter
	28	18 48 87 40	1	Squadretta	Gusset	Gousset	Vierkant
	29	98 06 43 25	2	Vite	Screw	Vis	Schraube
	30	95 00 62 06	3	Rosetta	Washer	Rondelle	Scheibe
	31	98 06 43 14	1	Vite	Screw	Vis	Schraube
	32	18 48 88 60	2	Chiavistello	Clamp	Collier	Bügel
	33	18 48 89 60	2	Fermaglio	Clip	Agrafe	Klammer
	34	18 48 40 60	2	Serratura borsa con chiavi	Bag lock with keys	Serrure pour sac avec clés	Tascheschloss mit Schlüssel

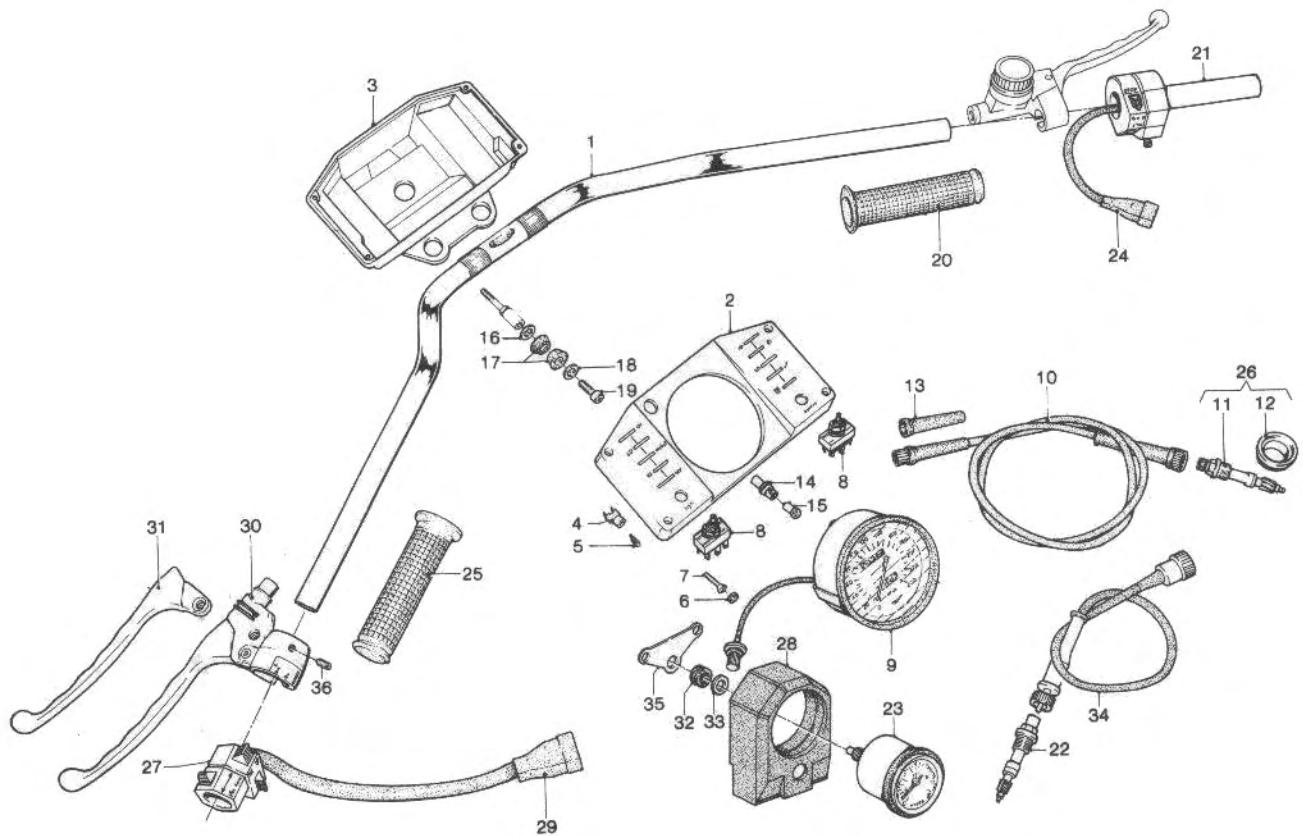


NOTE NOTES MARKE	POS. N.	N. COD. CODE No. No. CODE CODE Nr.	Q.tà Q.ty Q.té M.ge	DENOMINAZIONE	DESCRIPTION	DESIGNATION	BEZEICHNUNG
	1	18 49 02 60	1	Forcella anteriore	Front fork	Fourche AV	Vordergabel
	2	14 50 45 02	2	Tappo superiore	Upper cap	Bouchon supérieur	Verschlusskappe
	3	90 70 62 38	2	Guarnizione	Gasket	Joint	Dichtung
	4	18 51 66 60	1	Bussola	Bush	Douille	Buchse
	5	91 18 09 12	2	Distanziale	Spacer	Entretoise	Distanzstück
	6	98 62 04 45	2	Vite	Screw	Vis	Schraube
	7	95 00 52 08	4	Rosetta	Washer	Rondelle	Scheibe
	8	18 50 07 51	2	Vite a colonnetta	Screw	Vis	Schraube
	9	17 50 02 00	2	Cappello	Cap	Chapeau	Deckel
	10	17 49 31 00	1	Testa forcella	Fork head	Tête de fourche	Gabelkopf
	11	98 66 25 35	5	Vite	Screw	Vis	Schraube
	12	18 51 35 60	1	Rondella	Washer	Rondelle	Scheibe
	13	18 51 34 60	1	Dado	Nut	Ecrou	Mutter
	14	14 49 46 00	1	Scodellino	Cup	Coupelle	Teller
	15	92 24 92 25	2	Cuscinetto a rulli con.	Taper roller bearing	Roulem. à aig. con.	Kegelrollenlager
	16	14 51 67 00	1	Rondella di spallam.	Shim	Rondelle d'épais.	Passscheibe
	17	14 51 70 00	1	Anello inferiore	Bearing ring	Anneau de roulem.	Lagerring
	18	18 49 40 60	1	Base forcella, compl.	Fork yoke compl.	Chape de fourche, com.	Gabelende, kpl.
	19	17 49 27 00	4	Anello gomma	Rubber ring	Anneau en cautch.	Gummiring
	20	17 49 61 00	1	Fodero dx	R.H. stay tube	Tuyau étai D	Stützrohr R.
	21	17 49 62 00	1	Fodero sx	L.H. stay tube	Tuyau étai G	Stützrohr L.
	22	18 52 64 60	2	Ammortizzatore	Shock absorber	Amortisseur	Stoßdämpfer
	23	92 63 01 06	3	Dado autobloccante	Self-locking nut	Ecrou à autoblocage	Hutmutter
	24	18 52 65 60	2	Scodellino	Cap	Capuchon	Manschette
	25	90 27 10 14	2	Anello seeger	Snap ring	Jonc d'arrêt	Sicherungsring
	26	14 52 76 01	2	Scodellino inferiore	Cap	Coupelle	Manschette
	27	14 52 78 00	2	Tubo per aste	Tube	Tuyau	Rohr
	28	14 52 79 00	2	Estremità per aste	Tube end	Embout	Rohrende
	29	18 52 66 60	2	Molla inferiore	Spring	Ressort	Feder
	30	14 52 54 01	2	Braccio	Arm	Bras	Arm
	31	98 62 25 35	2	Vite	Screw	Vis	Schraube
	32	10 52 89 00	2	Guarnizione	Gasket	Joint	Dichtung
	33	98 62 24 22	2	Vite	Screw	Vis	Schraube
	34	18 52 25 60	1	Gambale dx	R.H. sleeve	Chemise D	Laufbüchse R.
	35	18 52 26 60	1	Gambale sx	L.H. sleeve	Chemise G	Laufbüchse L.
	36	98 66 05 40	2	Vite	Screw	Vis	Schraube

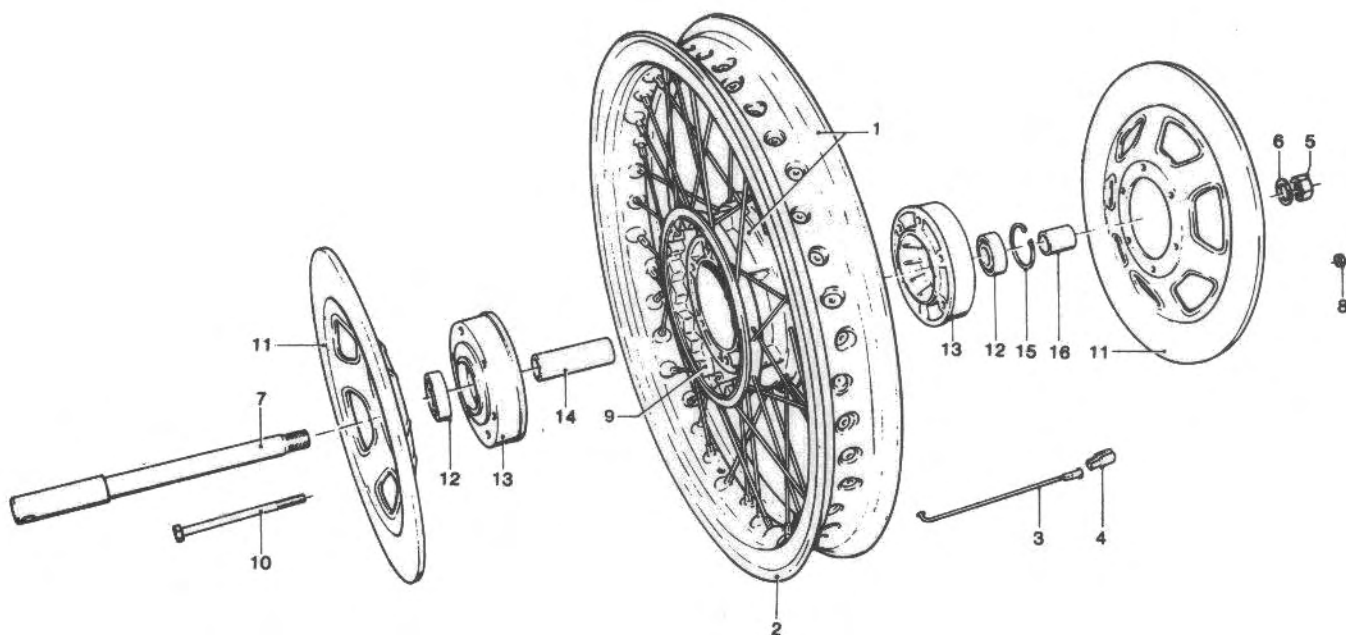
1000 G5Tavola - Drawing
Table - Bild**13****SOSPENSIONI ANT. E POST.
FRONT AND REAR SUSPENSIONS
SUSPENSIONS AV ET AR
VORD. - HINTERRADAUFHANG.****SEIMM**

MOTO GUZZI

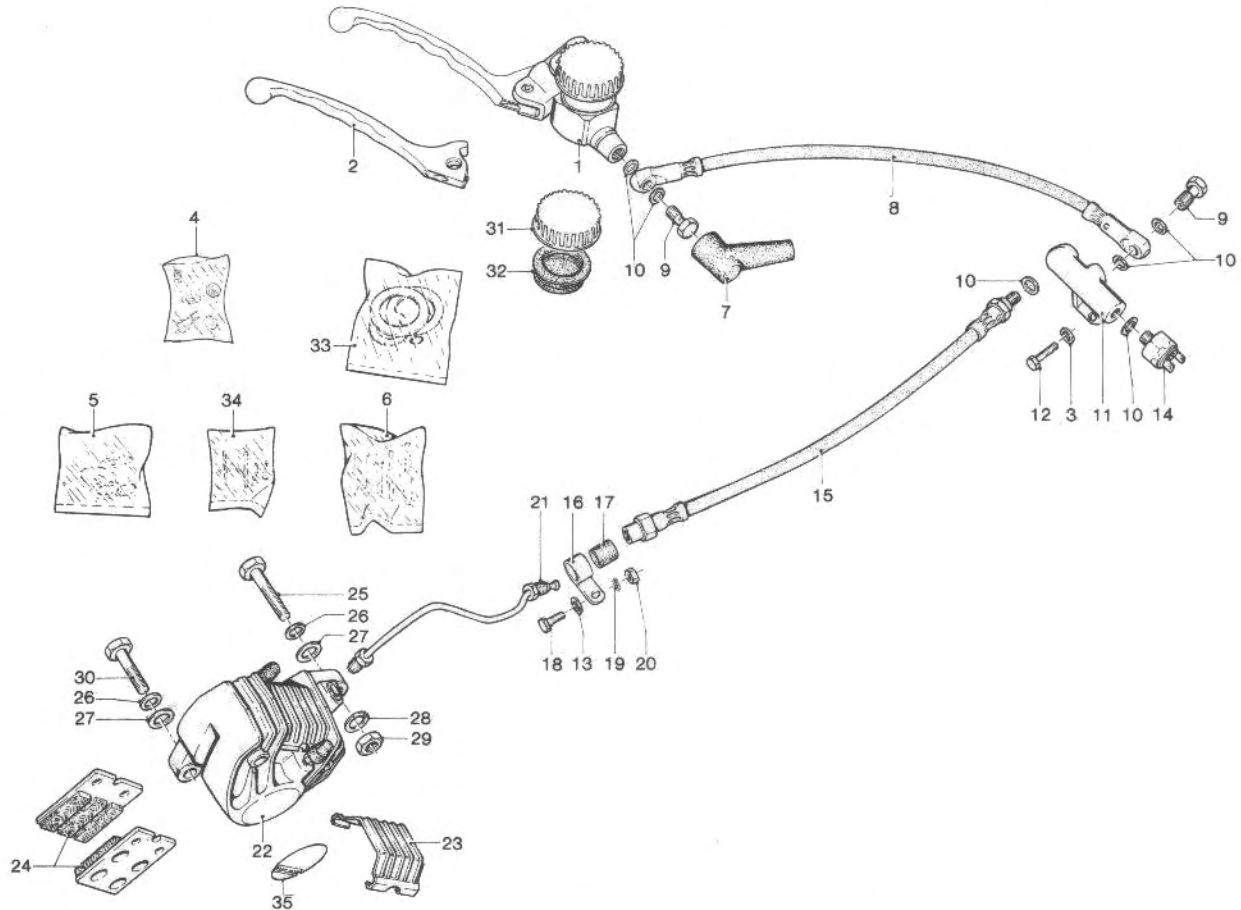
NOTE NOTES NOTES MARKE	POS. N.	N. COD. CODE No. No. CODE CODE Nr.	Q.tà Q.ty Q.té M.ge	DENOMINAZIONE	DESCRIPTION	DESIGNATION	BEZEICHNUNG
	37	92 60 22 10	2	Dado	Nut	Ecrou	Mutter
	38	98 62 03 12	2	Vite scarico olio	Oil drain screw	Vis de vidange huile	Ölablassschraube
	39	95 10 01 16	2	Rosetta	Washer	Rondelle	Scheibe
	40	90 40 35 47	4	Anello di tenuta	Seal ring	Bague d'étanchéité	Dichtring
	41	14 52 45 00	2	Custodia gambali	Dust guard	Cache poussière	Schmutzfänger
	42	18 55 02 60	2	Sospensioni posteriori	Rear suspensions	Suspensions AR	Hinteraufhängung
	43	18 55 23 60	2	Molla	Spring	Ressort	Feder
	44	95 00 52 15	4	Rosetta interna	Inside washer	Rondelle intér.	Innenscheibe
	45	95 11 03 37	2	Rosetta esterna	Outside washer	Rondelle extér.	Aussenscheibe
	46	92 60 32 10	2	Dado	Nut	Ecrou	Mutter
	47	98 06 44 20	2	Vite	Screw	Vis	Schraube
	48	14 53 02 01	1	Ammortizz. sterzo	Shock absorber	Amortisseur	Stossdämpfer
	49	14 53 08 00	2	Distanziale	Spacer	Entretoise	Distanzstück
	50	95 11 01 42	3	Rosetta	Washer	Rondelle	Scheibe
	51	98 06 23 35	2	Vite	Screw	Vis	Schraube
	52	95 00 02 06	1	Rosetta piana	Washer	Rondelle	Scheibe
	53	18 52 69 60	2	Molla sup. sospen.	Spring	Ressort	Feder
	54	18 52 79 60	2	Distanziale guida molla	Spacer	Entretoise	Distanzstück
	55	18 55 16 50	8	Boccola in gomma	Rubber bush	Douille en caoutch.	Gummibuchse
	56	96 50 80 21	4	Prigioniero sui gambali	Stud	Goujon	Stiftschraube



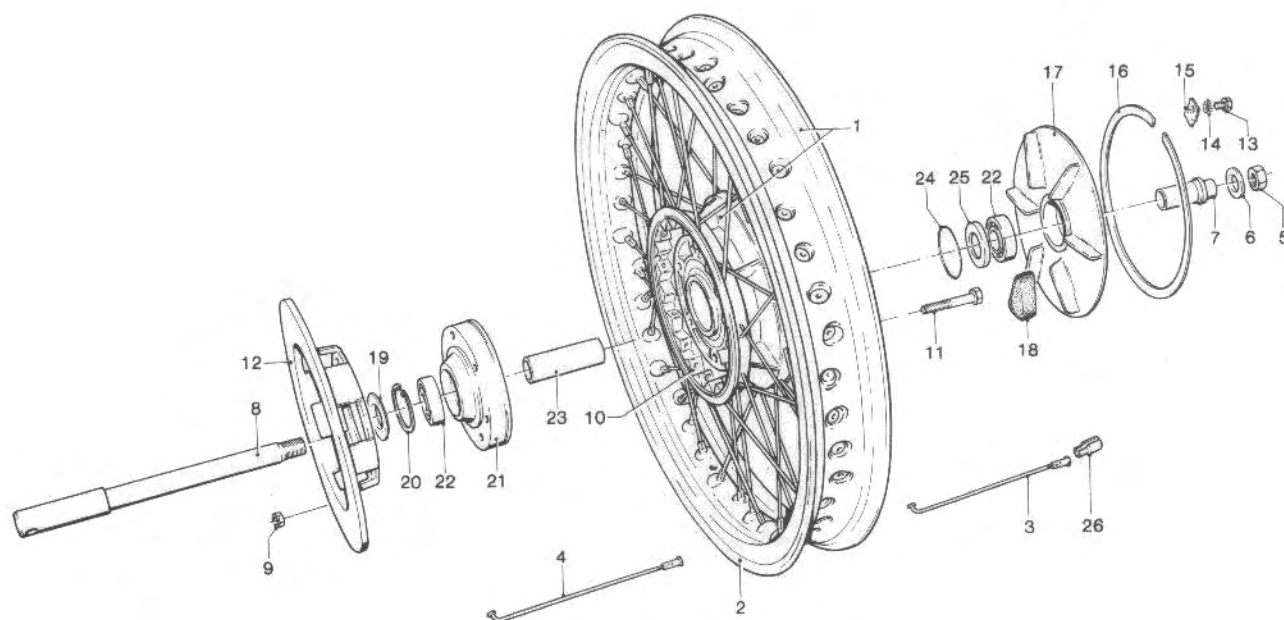
NOTE NOTES NOTES MARKE	POS. N.	N. COD. CODE No. No. CODE CODE Nr.	Q.tà Q.ty Q.té M.ge	DENOMINAZIONE	DESCRIPTION	DESIGNATION	BEZEICHNUNG
	1	18 60 03 60	1	Manubrio	Handlebar	Guidon	Lenker
	2	18 76 91 01	1	Cruscotto	Instrument panel	Tableau de bord	Instrumentbrett
	3	18 76 52 01	1	Scatola inf. crusc.	Instrument holder	Combiné	Instrumenthalter
	4	14 76 86 51	10	Portalampada	Lamp socket	Douille d'ampoule	Glühlampenfassung
	5	93 45 01 40	10	Lampada 1,2W - 12V	Lamp 1.2W - 12V	Ampoule 1,2W - 12V	Lampe 1,2W - 12V
	6	18 76 68 50	4	Tappo per viti	Plug	Bouchon	Stopfen
	7	98 26 05 25	4	Vite	Screw	Vis	Schraube
	8	17 74 57 60	2	Interruttori	Switch	Interrupteur	Schalter
	9	18 76 15 00	1	Tachimetro kontakm.	Speedometer km. indic.	Tachym. - compt.-km.	Tachometer Km.-Zähler
	10	12 76 04 00	1	Trasmiss. kontakm.	Flexible shaft	Câble d'entraînement	Tachometerwelle
	11	12 76 33 00	1	Bussola e pignone (Z = 11)	Bush and pinion (Z = 11)	Douille et pignon (Z = 11)	Buchse und Tachoritzel (Z = 11)
	12	14 76 61 10	1	Corona dentata Z - 5	Toothed rim Z - 5	Couronne dentée Z - 5	Zahnkranz Z = 5
	13	17 76 22 00	1	Guaina	Cable hose	Gaine	Schutzschlauch
	14	13 76 06 43	1	Portalamp. kontakm.	Km. indic. lamp socket	Douille d'amp. com-km.	Zm-Zähler Glühlampenf.
	15	13 76 21 43	1	Lampada 3W - 12V	Lamp 3W - 12V	Ampoule 3W - 12V	Lampe 3W - 12W
	16	95 10 04 63	2	Rosetta di base	Washer	Rondelle	Scheibe
	17	10 50 22 50	4	Bussola in gomma	Rubber bush	Douille en caoutch.	Gummibuchse
	18	95 00 02 09	2	Rosetta superiore	Upper washer	Rondelle supérieure	Oberscheibe
	19	98 62 24 17	2	Vite bloccaggio	Binding screw	Vis de blocage	Klemmschraube
	20	65 60 35 00	1	Manopola dx gas	R.H. handgrip	Poignée D	Handgriff R.
	21	18 60 34 61	1	Impugnatura com. gas	Throttle control	Commande de gaz	Gasregelung
	22	14 76 92 00	1	Pignone rinvio contagiri	Pinion	Pignon	Ritzel
	23	18 76 72 01	1	Contagiri	Rev. counter	Compte-tours	Drehzahlmesser
	24	17 75 58 00	1	Cappuccio	Protective cap	Capuchon protecteur	Schutzkappe
	25	65 60 30 00	1	Manopola sx	L.H. handgrip	Poignée G	Handgriff L.
	26	14 76 25 10	1	Rinvio kontakm. Z = 5/11	Transmission speedom. Z = 5/11	Renvoi compteur-km Z = 5/11	Vorgelegkilometerzah. Z = 5/11
	27	18 73 80 61	1	Dispositivo indicatori-avvisatori - lampegg.	Indic. - horn - flash control	Comm. des clignot. - avertiss. - appel phare	Blinker - Horn - Lichthupe
	28	18 76 62 01	1	Coperchio protez.	Cover	Couvercle	Vorrichtung
	29	17 75 57 00	1	Cappuccio	Protective cap	Capuchon protecteur	Deckel
	30	19 60 55 01	1	Leva com. friz. com.	Clutch lever compl.	Levier d'embr. compl.	Kupplungshebel, kpl
	31	14 60 57 50	1	Leva comando frizione	Clutch lever	Levier d'embrayage	Kupplungshebel
	32	91 55 11 65	1	Bussola elastica	Rubber bush	Douille en caoutch.	Gummibuchse
	33	95 10 06 24	1	Ranella	Washer	Rondelle	Scheibe
	34	19 76 81 00	1	Trasmiss. contagiri	Rev. counter cable	Câble compte-tours	Drehzahlmesserkabel
	35	18 76 65 01	1	Supporto per contagiri	Holder	Support	Halter
	36	98 62 23 18	1	Vite fiss. supp.	Screw	Vis	Schraube



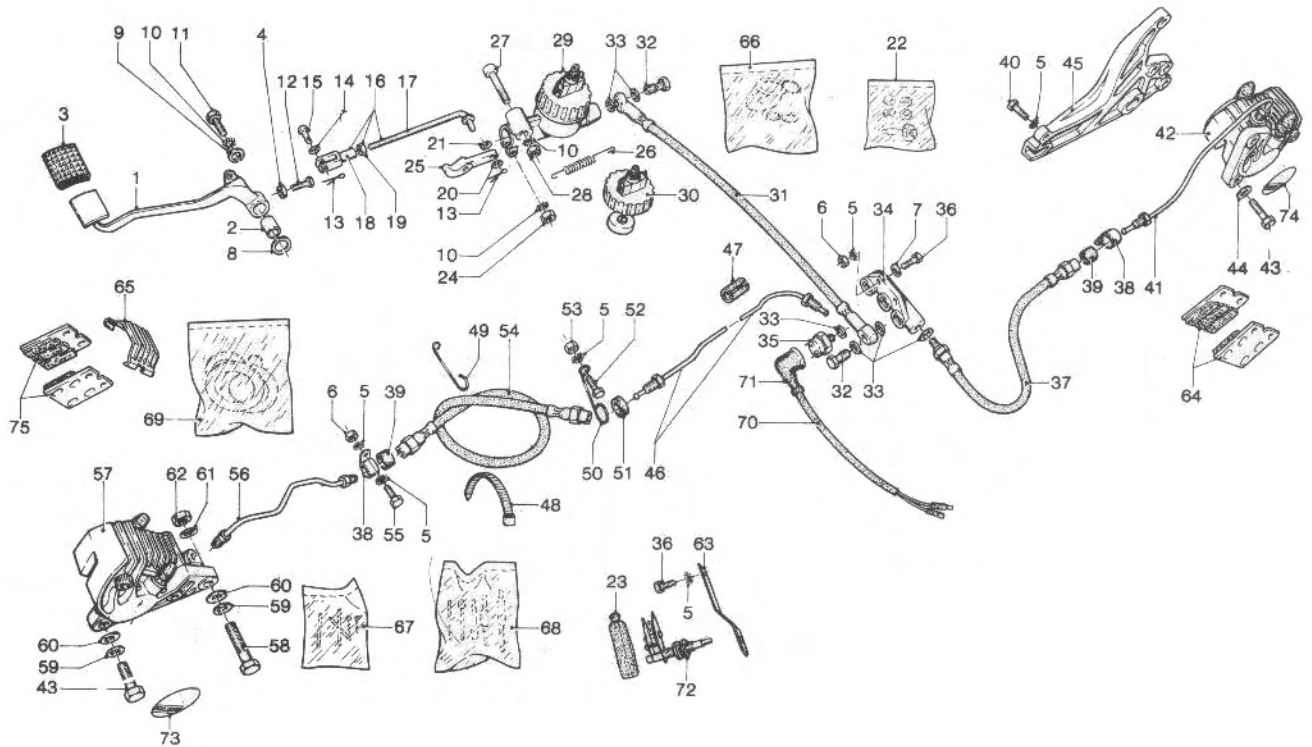
NOTE NOTES NOTES MARKE	POS. N.	N. COD. CODE No. No. CODE CODE Nr.	Q.tà Q.ty Q.té M.ge	DENOMINAZIONE	DESCRIPTION	DESIGNATION	BEZEICHNUNG
	1	17 61 03 40	1	Ruota anter. compl. di raggi e mozzo	Front wheel with spokes and hub	Roue AV avec moyeu et rayons	Vorderrad mit Nabe und Speiche
	2	17 61 08 40	1	Cerchio	Wheel rim	Jante	Falge
	3	14 61 15 01	40	Raggio com. di nipplo	Spoke with nipple	Rayon avec niple	Speiche mit Nipple
	4	12 61 61 01		Contrappeso (gr. 15)	Balance weight (gr. 15)	Masse additive (gr. 15)	Gewichtsausgl. (gr. 15)
	4	12 61 61 02		Contrappeso (gr. 20)	Balance weight (gr. 20)	Masse additive (gr. 20)	Gewichtsausgl. (gr. 20)
	4	12 61 61 03		Contrappeso (gr. 30)	Balance weight (gr. 30)	Masse additive (gr. 30)	Gewichtsausgl. (gr. 30)
	5	92 60 23 16	1	Dado	Nut	Ecrou	Mutter
	6	95 00 52 17	1	Rosetta	Washer	Rondelle	Scheibe
	7	14 61 41 02	1	Perno	Wheel axle	Axe de roue	Radachse
	8	92 63 05 08	6	Dado	Nut	Ecrou	Mutter
	9	14 61 32 01	1	Mozzo	Wheel hub	Moyeu de roue	Radnabe
	10	17 61 14 50	6	Vite	Screw	Vis	Schraube
	11	14 61 33 02	2	Disco anteriore	Front disc	Disque AV	Vord. Bremsscheibe
	12	92 20 42 20	2	Cuscinetto	Bearing	Roulement	Lager
	13	14 62 03 02	2	Flangia	Flange	Flasque	Flansch.
	14	14 61 52 01	1	Distanziale	Spacer	Entretoise	Anstandsrohr
	15	90 27 20 47	1	Anello seeger	Circlip	Jonc d'arrêt	Seegerring
	16	14 61 63 01	1	Distanziale	Spacer	Entretoise	Abstandsrohr
	—	17 61 02 40	1	Ruota compl. senza perno, dado e rosetta	Wheel compl., axle nut and washer excl.	Roue compl. exclus axe, écrou et rondelle	Rad kp. Achse, Mutter und Scheibe aus.



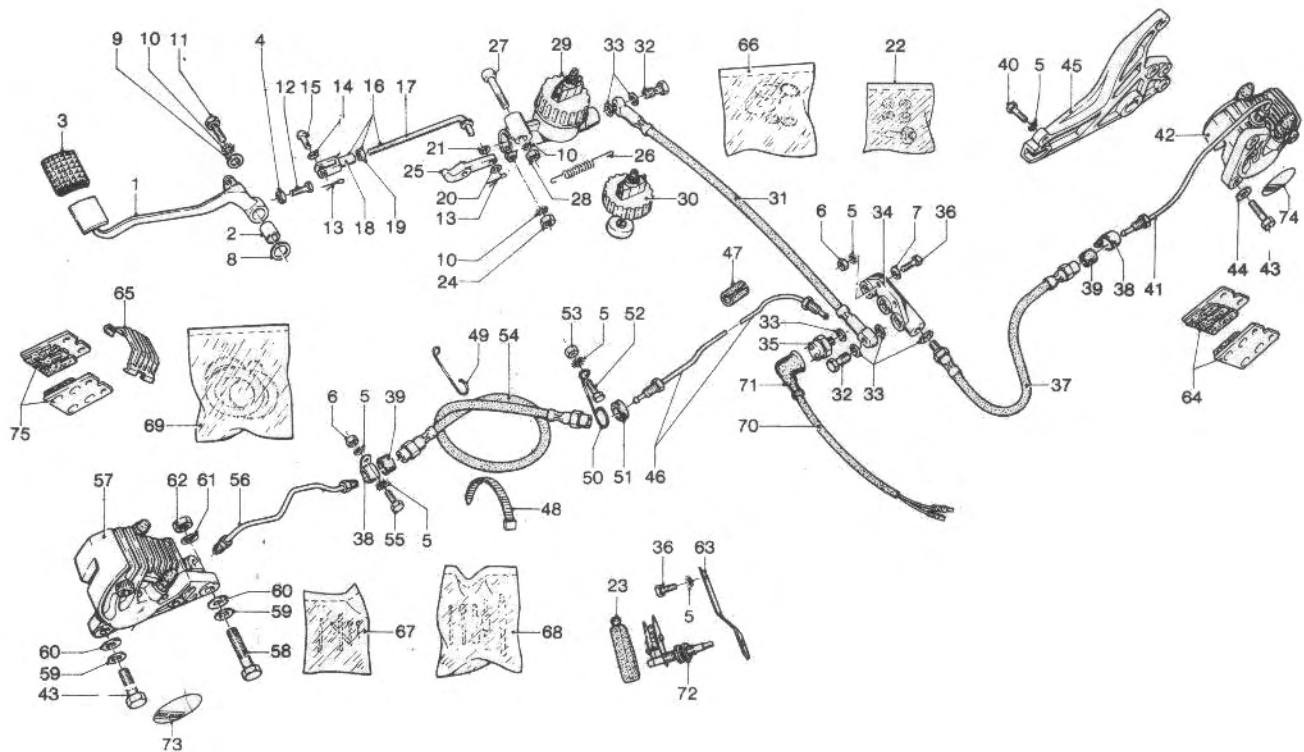
NOTE NOTES MARKE	POS. N.	N. COD. CODE No. No. CODE CODE Nr.	Q.tà Q.ty Q.té M.ge	DENOMINAZIONE	DESCRIPTION	DESIGNATION	BEZEICHNUNG
	1	17 66 02 53	1	Pompa freno anter.	Front master cylinder	Maître-cylindre AV	Hauptbremszylinder
	2	14 60 56 50	1	Leva comando friz.	Hand lever	Levier à main	Handhebel
	3	95 00 02 06	1	Ranella	Washer	Rondelle	Scheibe
	4	17 65 94 50	1	Gruppo rev. viti leva	Lever screws kit	Kit de vis levier	Hebelschr. Rep.-Satz
	5	14 65 91 00	1	Gruppo revis. pastiglie	Pins kit	Kit de pivots	Bremsbelag - Rep.-Satz
	6	14 65 90 00	1	Gruppo revis. pinze	Seals kit	Kit de joints	Dichtungs - Rep.-Satz
	7	39 66 38 01	1	Cappuccio	Dust cap	Pare-poussière	Staubkappe
	8	17 65 85 50	1	Tubazione flessibile	Flexible hose	Tuyau flexible	Bremsschlauch
	9	95 99 00 33	2	Vite cava	Hollow screw	Vis creuse	Hohlschraube
	10	25 65 61 00	6	Guarnizione	Gasket	Joint	Dichtung
	11	17 65 68 50	1	Ripartitore	Distributor	Raccord de distrib.	Verteiler
	12	98 05 43 20	1	Vite	Screw	Vis	Schraube
	13	95 00 42 06	1	Rosetta	Washer	Rondelle	Scheibe
	14	63 65 70 00	1	Interruttore idraulico	Stop light switch	Contacteur de stop	Stoplichtschalter
	15	17 65 75 50	1	Tubazione flessibile	Flexible hose	Tuyau flexible	Bremsschlauch
	16	62 43 65 00	1	Supporto	Bracket	Support	Stütze
	17	90 71 61 42	1	Anello gomma	Rubber grommet	Douille en caoutch.	Gummitülle
	18	98 06 43 12	1	Vite	Screw	Vis	Schraube
	19	95 02 11 06	1	Rosetta elast. dent.	Tooth washer	Rondelle dentée	Zahnscheibe
	20	92 60 22 06	1	Dado	Nut	Ecrou	Mutter
	21	17 65 80 50	1	Tubazione rigida	Rigid pipe	Tuyau rigide	Rohrleitung
	22	14 65 30 01	1	Pinza anteriore dx	R.H. front br. caliper	Etrier AV D	Vord. Festsattel R.
	23	14 65 47 00	1	Coperchio	Cover	Couvercle	Deckel
	24	14 65 46 01	2	Pastiglie freno dx (Ferit I/D 332)	Pad (Ferit I/D 332)	Patins de frein (Ferit I/D 332)	Bremsbelag (Ferit I/D 332)
	25	98 06 45 45	1	Vite superiore	Screw	Vis	Schraube
	26	95 00 52 10	2	Rosetta	Washer	Rondelle	Scheibe
	27	95 10 03 32	0 - 4	Rosetta di spallamento (mm 0,5)	Spacer washer (mm 0,5)	Rondelle d'épaulement (mm 0,5)	Einstellscheibe (mm 0,5)
	27	95 10 03 33	0 - 4	Rosetta di spallamento (mm 0,8)	Spacer washer (mm 0,8)	Rondelle d'épaulement (mm 0,8)	Einstellscheibe (mm 0,8)
	28	95 12 91 80	1	Rosetta elastica	Spring washer	Rondelle élastique	Federring
	29	92 60 22 10	1	Dado	Nut	Ecrou	Mutter
	30	98 06 45 30	1	Vite	Screw	Vis	Schraube
	31	17 66 11 52	1	Coperchio	Cover	Couvercle	Verschlussdeckel
	32	17 66 13 52	1	Membrana a soffietto	Boot	Soufflet	Segeltuchverdeck
	33	17 65 93 52	1	Gruppo revis. pompa	Master cylinder kit	Kit de maître-cylindre	Hauptbremszyl. Rep.-Satz
	34	14 65 92 00	1	Gruppo revis. spurgo	Screws kit	Kit de vis	Schraube - Rep.-Satz
	35	14 65 49 00	1	Decalcomania pinza ant. dx.	Moulding for R.H. front caliper	Moultre pour étrier AV D	Abdeckleisten für vord. Festsattel R.



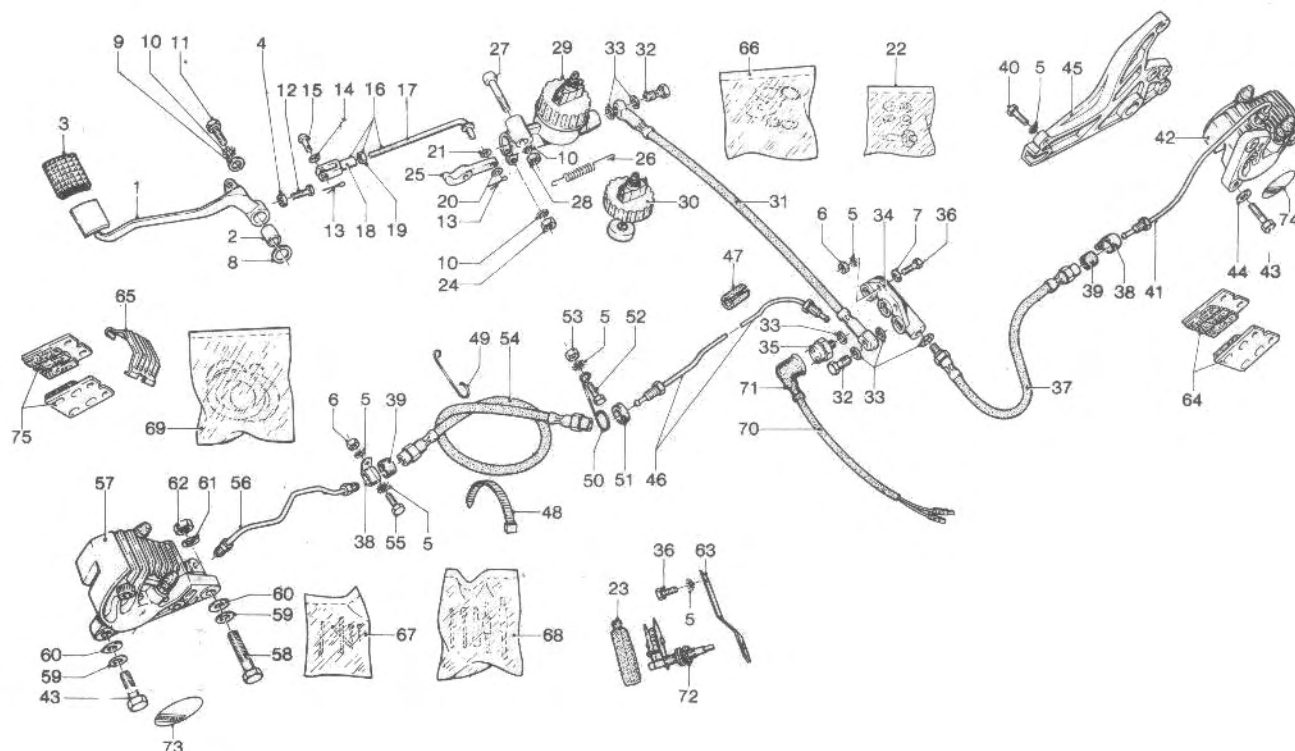
NOTE NOTES NOTES MARKE	POS. N.	N. COD. CODE No. No. CODE CODE Nr.	Q.tà Q.ty Q.té M.ge	DENOMINAZIONE	DESCRIPTION	DESIGNATION	BEZEICHNUNG
	1	17 63 06 40	1	Ruota post. compl. di mozzo e raggi	Rear wheel with hub and spokes	Roue AV avec moyeu et rayons	Hinterrad mit Nabe und Speiche
	2	17 63 07 40	1	Cerchio	Wheel rim	Jante	Felge
	3	17 63 10 50	20	Raggio dx compl. di nipplo	R.H. spoke with nipple	Rayon avec niple, D	Speiche mit Nippel, R.
	4	14 61 15 01	20	Raggio sx compl. di nipplo	L.H. spoke with nipple	Rayon avec niple, G	Speiche mit Nippel, L.
	5	92 60 23 16	1	Dado	Nut	Ecrou	Mutter
	6	14 63 44 00	1	Anello	Ring	Bague	Ring
	7	17 63 41 50	1	Distanziatore	Spacer	Entretoise	Abstandsrohr
	8	17 63 33 50	1	Perno	Wheel axle	Axe de roue	Radachse
	9	92 63 05 08	6	Dado	Nut	Ecrou	Mutter
	10	17 63 30 50	1	Mozzo per ruota	Wheel hub	Moyeu de roue	Radnabe
	11	98 05 24 45	6	Vite	Screw	Vis	Schraube
	12	18 63 57 60	1	Disco posteriore	Rear disc	Disque AR	Hinterbremscheibe
	13	98 05 43 12	1	Vite	Screw	Vis	Schraube
	14	95 02 11 06	1	Rosetta elast. dent.	Tooth washer	Rondelle dentée	Zahnscheibe
	15	17 33 59 50	1	Piastrina fermo	Lock plate	Arrêtoir	Sicherungsblech
	16	14 33 53 03	1	Anello elastico	Stop ring	Jonc d'arrêt	Sicherungsring
	17	14 33 52 03	1	Disco parastrappi	Elastic coupling	Joint élastique	Elast. Kupplung
	18	14 33 68 03	12	Elemento parastrappi	Rubber coupling	Joint en caoutch.	Gummikupplung
	19	17 63 60 50	1	Spessore	Spacer	Entretoise	Distanzring
	20	90 27 20 47	1	Anello seeger	Circlip	Jonc d'arrêt	Seegerring
	21	14 62 03 01	1	Flangia	Flange	Flasque	Flansch
	22	92 20 42 20	2	Cuscinetto a sfere	Ball bearing	Roulement à billes	Kugellager
	23	17 63 40 50	1	Distanziale	Spacer	Entretoise	Abstandsrohr
	24	90 70 64 90	1	Guarnizione	Gasket	Joint	Dichtung
	25	17 63 35 50	1	Scodellino	Cup	Coupelle	Manschette
	26	12 61 61 01	1	Contrappeso (gr. 15)	Balance weight (gr. 15)	Masse additive (gr. 15)	Gewichtsausgl. (gr. 15)
	26	12 61 61 02	1	Contrappeso (gr. 20)	Balance weight (gr. 20)	Masse additive (gr. 20)	Gewichtsausgl. (gr. 20)
	26	12 61 61 03	1	Contrappeso (gr. 30)	Balance weight (gr. 30)	Masse additive (gr. 30)	Gewichtsausgl. (gr. 30)
	—	18 63 02 60	1	Ruota poster. compl. senza perno, dado e anello	Rear wheel compl. axle, nut and rings exclud.	Roue AR compl., écrou et anneau exclus	Hinterrad, kpl. Achse, Mutter und Rings aus.



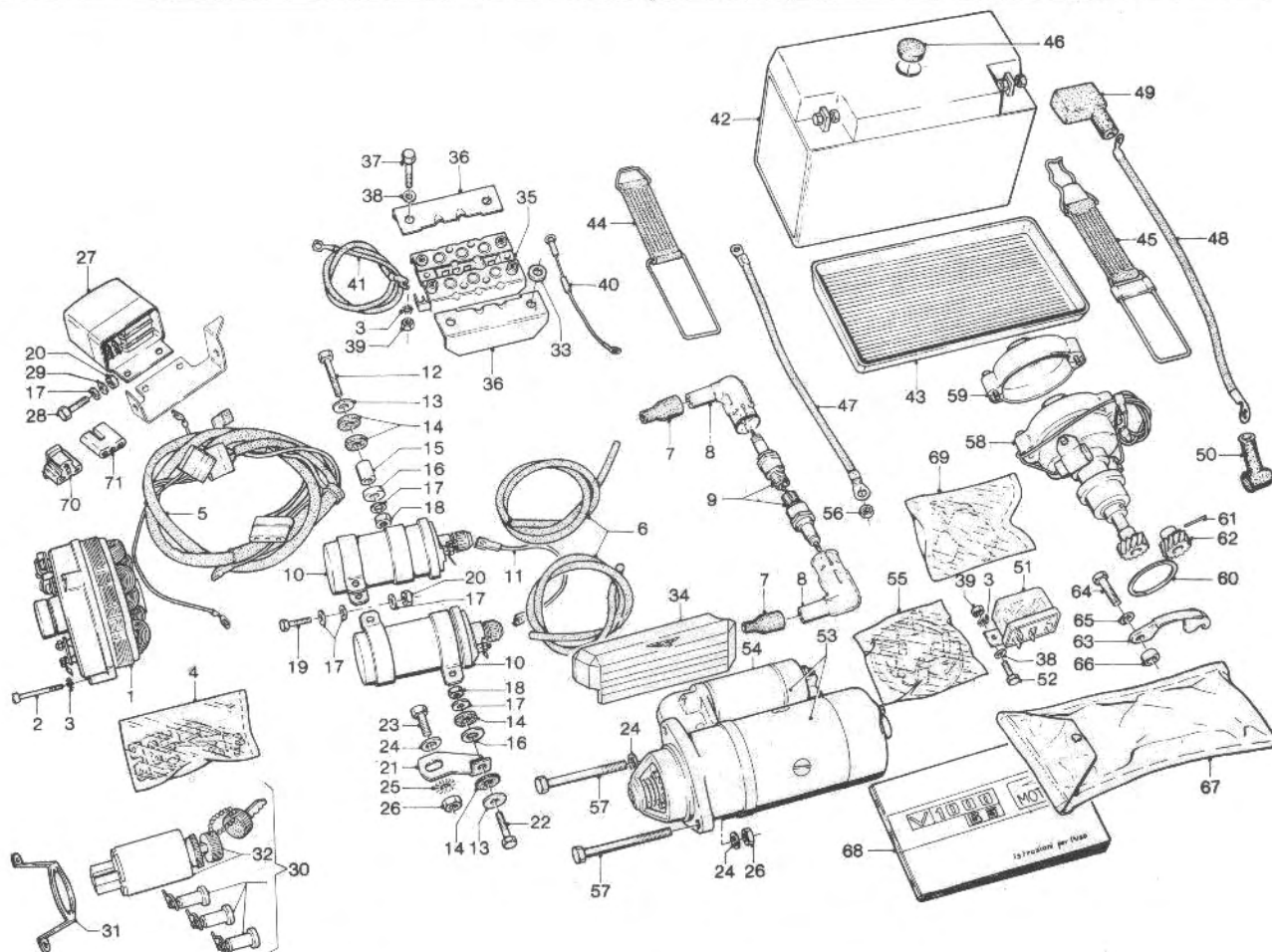
NOTE NOTES MARKE	POS. N.	N. COD. CODE No. No. CODE CODE Nr.	Q.tà Q.ty Q.té M.ge	DENOMINAZIONE	DESCRIPTION	DESIGNATION	BEZEICHNUNG
	1	18 67 59 60	1	Leva comando freni	Brake lever	Levier comm. freins	Bremshebel
	2	18 25 20 50	1	Boccola	Bush	Douille	Buchse
	3	43 26 21 80	1	Pedalino per leva ped.	Lever pedal	Pédale pour levier	Hebelgleitschutze
	4	92 60 32 06	1	Dado	Nut	Ecrou	Mutter
	5	95 02 11 06	6	Rosetta elastica	Spring washer	Rondelle élastique	Federring
	6	92 60 22 06	4	Dado	Nut	Ecrou	Mutter
	7	95 00 62 06	2	Ranella	Washer	Rondelle	Scheibe
	8	95 12 92 60	1	Rosetta	Washer	Rondelle	Scheibe
	9	18 25 91 51	1	Rosetta	Washer	Rondelle	Scheibe
	10	95 02 11 08	2	Rosetta dentellata	Tooth washer	Rondelle dentée	Zahnscheibe
	11	98 06 44 16	1	Vite	Screw	Vis	Schraube
	12	98 06 43 25	1	Vite registro leva	Adjusting screw	Vis de réglage	Einstellschraube
	13	95 50 02 22	2	Copiglia	Split pin	Goupille	Splint
	14	95 12 91 10	1	Rosetta antivibrante	Shake proof washer	Rondelle éventail	Unterlegscheibe
	15	95 77 02 65	1	Spina	Pivot	Pivot	Bundbolzen
	16	18 67 50 60	1	Tirante completo	Connecting rod, com.	Tige intérm. compl.	Zwischenstange, kpl.
	17	18 67 51 60	1	Tirante	Connecting rod	Tige intermédiaire	Zwischenstange
	18	95 74 01 75	1	Forcellino	Fork	Fourchette	Gabel
	19	92 69 00 73	1	Dado	Nut	Ecrou	Mutter
	20	95 10 01 73	1	Rosetta	Washer	Rondelle	Scheibe
	21	95 12 91 30	1	Rosetta antivibrante	Shake proof washer	Rondelle éventail	Unterlegscheibe
	22	14 65 94 50	1	Gruppo revis. viti per leva pompa freno	Screws kit for brake pump lever	Kit de vis pour levier pompe frein	Schrauben - Rep.-Satz für Bremspumpehebel
	23	18 75 96 50	1	Cappuccio	Cap	Capuchon	Schutzkappe
	24	92 63 02 06	5	Dado autobloccante	Self-locking nut	Ecrou à autoblocage	Hutmutter
	25	17 66 75 50	1	Leva com. pompa	Control lever	Levier de commande	Schalthebel
	26	17 66 76 50	1	Molla	Spring	Ressort	Feder
	27	98 62 04 40	1	Vite	Screw	Vis	Schraube
	28	92 60 22 08	1	Dado	Nut	Ecrou	Mutter
	29	18 66 70 50	1	Pompa freni	Master cylinder	Maitre-cylindre	Hauptbremszylinder
	30	18 66 74 50	1	Coperchio	Cover	Couvercle	Verschlussdeckel
	31	17 65 85 50	1	Tubazione	Flexible hose	Tuyau flexible	Bremsschlauch
	32	95 99 00 33	2	Vite cava	Hollow screw	Vis creuse	Hohlschraube
	33	25 65 61 00	6	Guarnizione	Gasket	Joint	Dichtung
	34	17 66 80 50	1	Ripartitore posteriore	Distributor	Raccord	Verteiler
	35	63 65 70 00	1	Interruttore idraulico	Stop light switch	Contacteur de stop	Stoplichtschalter

1000 G5Tavola - Drawing
Table - Bild**18**COM. FRENI POST. STAZION.
REAR PARKING BRAKE CONTR.
COMM. DE FREIN A MAIN AR
HINTERHANDBREMSSTEUERUNGSEIMM
MOTO GUZZI

NOTE NOTES NOTES MARKE	POS. N.	N. COD. CODE No. No. CODE CODE Nr.	Q.tà Q.ty Q.té M.ge	DENOMINAZIONE	DESCRIPTION	DESIGNATION	BEZEICHNUNG
	36	98 06 43 20	4	Vite	Screw	Vis	Schraube
	37	17 65 75 50	1	Tubazione flessibile	Flexible hose	Tuyau flexible	Bremsschlauch
	38	62 43 65 00	2	Supporto tubazioni	Bracket	Support	Stütze
	39	90 71 61 42	2	Anello elastico	Rubber grommet	Douille en caoutch.	Gummitülle
	40	98 05 43 14	1	Vite	Screw	Vis	Schraube
	41	17 65 86 50	1	Tubazione rigida	Rigid pipe	Tuyau rigide	Rohrleitung
	42	14 65 30 01	1	Pinza posteriore	Rear caliper	Etrier AR	Hinterfestsattel
	43	98 06 45 30	3	Vite	Screw	Vis	Schraube
	44	95 00 52 10	2	Rosetta	Washer	Rondelle	Scheibe
	45	18 63 58 60	1	Staffa	Bracket	Chape	Träger
	46	17 65 87 50	1	Tubazione rigida	Rigid pipe	Tuyau rigide	Rohrleitung
	47	17 65 96 50	1	Fascia elastica	Clamp	Collier	Klemme
	48	14 60 96 50	1	Fascetta	Hose clip	Collier	Klemme
	49	18 65 97 50	1	Occhiello	Bracket	Support	Stütze
	50	17 65 97 50	1	Occhiello	Bracket	Support	Stütze
	51	91 55 11 20	1	Anello tubazione	Rubber grommet	Douille en caoutch.	Gummitülle
	52	98 05 43 16	1	Vite	Screw	Vis	Schraube
	53	92 63 01 06	1	Dado autobloccante	Self-locking nut	Ecrou à autoblocage	Hutmutter
	54	17 65 88 50	1	Tubazione flessibile	Flexible hose	Tuyau flexible	Bremsschlauch
	55	98 06 43 12	1	Vite	Screw	Vis	Schraube
	56	17 65 89 50	1	Tubazione rigida	Rigid pipe	Tuyau rigide	Rohrleitung
	57	14 65 22 00	1	Pinza anteriore sx	L.H. front caliper	Etrier AV G	Vorderfestsattel, L.
	58	98 06 45 45	1	Vite	Screw	Vis	Schraube
	59	95 00 52 10	4	Rosetta	Washer	Rondelle	Scheibe
	60	95 10 03 32	0 ÷ 4	Rosetta di spallamento	Spacer washer	Rondelle d'épaulement	Einstellscheibe
	60	95 10 03 33	0 ÷ 4	Rosetta di spallamento	Spacer washer	Rondelle d'épaulement	Einstellscheibe
	61	95 12 91 80	1	Rosetta elastica	Spring washer	Rondelle élastique	Federring
	62	92 60 22 10	1	Dado	Nut	Ecrou	Mutter
	63	18 75 93 50	1	Supporto per dispos. inserimento bobine	Support for coil apply device	Support pour dispositif fonctionnement bobines	Halter für Zündspule Vorrichtung
	64	14 65 46 01	4	Pastiglie freno post. (Ferit I/D 332)	Rear brake pad (Ferit I/D 332)	Patins de frein AR (Ferit I/D 332)	Hint. Bremsbelag (Ferit I/D 332)
	65	14 65 47 00	2	Coperchio	Cover	Couvercle	Deckel
	66	17 65 93 52	1	Gruppo revis. pompa	Master cylinder kit	Kit de maître-cylindre	Hauptbremszyl. Rep.-Satz
	67	14 65 92 00	1	Gruppo revis. spurgo	Screws kit	Kit de vis	Schrauben - Rep.-Satz
	68	14 65 91 00	1	Gruppo revis. pastiglie	Pins kit	Kit de pivots	Bremsbelag - Rep.-Satz



NOTE NOTES NOTES MARKE	POS. N.	N. COD. CODE No. No. CODE CODE Nr.	Q.tà Q.ty Q.té M.ge	DENOMINAZIONE	DESCRIPTION	DESIGNATION	BEZEICHNUNG
	69	14 65 90 00	1	Gruppo revis. pinze	Seals kit	Kit de joints	Dichtungs - Rep.-Satz
	70	17 74 75 50	1	Collegam. luci stop	Stop light connection	Branch. pour feux stop	Stoplichtleitung
	71	12 73 51 00	1	Cappuccio	Protective cap	Chapeau de protection	Schutzkappe
	72	18 75 91 50	1	Dispositivo inserim. bobine	Coil apply device	Dispositif fonctionn. bobines	Zündspulevorrichtung
	73	14 65 27 00	1	Decalcomania per pinza ant. sx.	Moulding for L.H. front caliper	Moulure pour étrier AV G	Abdeckleisten Vorderfestsattel, L.
	74	14 65 49 00	1	Decalc. pinza post.	Rear cal. moulding	Moulure étrier AR	Hint. Fests. Abdeckleisten
	75	14 65 46 50	2	Pastiglie freno ant. sx. (Ferit I/D 330)	L.H. front br. pads (Ferit I/D 330)	Patins de fr. AV G (Ferit I/D 330)	Vord. Bremsbelag, L. (Ferit I/D 330)



NOTE NOTES NOTES MARKE	POS. N.	N. COD. CODE No. No. CODE CODE Nr.	Q.tà Q.ty Q.té M.ge	DENOMINAZIONE	DESCRIPTION	DESIGNATION	BEZEICHNUNG
	1	18 71 24 50	1	Generatore alternatore	Alternator	Alternateur	Drehstromgenerator
	2	98 62 02 45	3	Vite	Screw	Vis	Schraube
	3	95 02 11 05	9	Rosetta elast. dent.	Tooth washer	Rondelle dentée	Zahnscheibe
	4	17 71 99 00	1	Gruppo revis. generat.	Alternator kit	Kit de l'alternateur	Generator - Rep.-Satz
	5	17 74 74 50	1	Gruppo cavi alternat.	Alternator cables, com.	Câbles altern. compl.	Generatorkabel, kpl.
	6	17 71 84 50	2	Cavi A.T. dx e sx per candele	R.H. - L.H. spark plug H.T. wire	Câble H.T. bougies D et G	Zündkerzenleitung R. und L.
	7	14 71 76 00	2	Cappuccio	Protective cap	Capuchon protecteur	Schutzkappe
	8	14 71 74 00	2	Attacchi	Spark plug cap	Embout de bougie	Zündkerzenstecker
	9	25 71 70 25	2	Candele Marelli CW 7LP Bosch W 225 T2 AC 44 XL	Spark plug Marelli CW 7 LP Bosch W 225 T2 AC 44XL	Bougie Champion N9Y Bougie Lodhe HLNLY	Zündkerze Champion N9Y Zündkerze Lodge HLNLY
	9	17 71 70 50	2	Candele Champion N9Y	Spark plug Champion N9Y	Bougie Champion N9Y	Zündkerze Champion N9Y
	9	18 71 70 50	2	Candele Lodge HLNLY	Spark plug Lodge HLNLY	Bougie Lodhe HLNLY	Zündkerze Lodge HLNLY
	10	14 71 65 00	2	Bobina di accensione	Ignition coil	Bobine d'allumage	Zündspule
	11	14 74 77 00	1	Cavo bobina 1 a bob. 2	Coil 1 - coil 2 wire	Câble bobine 1 - bob. 2	Zündspule 1-2 Kabel
	12	98 05 23 45	1	Vite	Screw	Vis	Schraube
	13	95 10 01 41	2	Rosetta piana grande	Washer	Rondelle	Scheibe
	14	93 11 00 60	4	Spessore in gomma	Rubber spacer	Entretoise en caoutch.	Gummipuffer
	15	91 18 07 18	1	Distanziale	Spacer	Entretoise	Distanzsbüchse
	16	95 10 01 54	2	Rosetta	Washer	Rondelle	Scheibe
	17	95 00 02 06	8	Rosetta piana	Washer	Rondelle	Scheibe
	18	92 63 01 06	2	Dado autobloccante	Self-locking nut	Ecrou à autoblocage	Hutmutter
	19	98 05 43 20	1	Vite	Screw	Vis	Schraube
	20	92 60 22 06	6	Dado	Nut	Ecrou	Mutter
	21	17 71 68 50	1	Squadretta	Support	Equerre	Stütze
	22	98 05 23 25	1	Vite inferiore	Screw	Vis	Schraube
	23	98 05 44 16	1	Vite	Screw	Vis	Schraube
	24	95 00 42 08	3	Rosetta piana	Washer	Rondelle	Scheibe
	25	95 02 11 08	1	Rosetta elast. dent.	Tooth washer	Rondelle dentée	Zahnscheibe
	26	92 60 22 08	2	Dado per viti	Nut	Ecrou	Mutter
	27	17 70 38 00	1	Regolatore	Regulator	Régulateur	Spannungsregler
	28	98 05 43 12	2	Vite	Screw	Vis	Schraube
	29	95 02 11 06	4	Rosetta	Washer	Rondelle	Scheibe

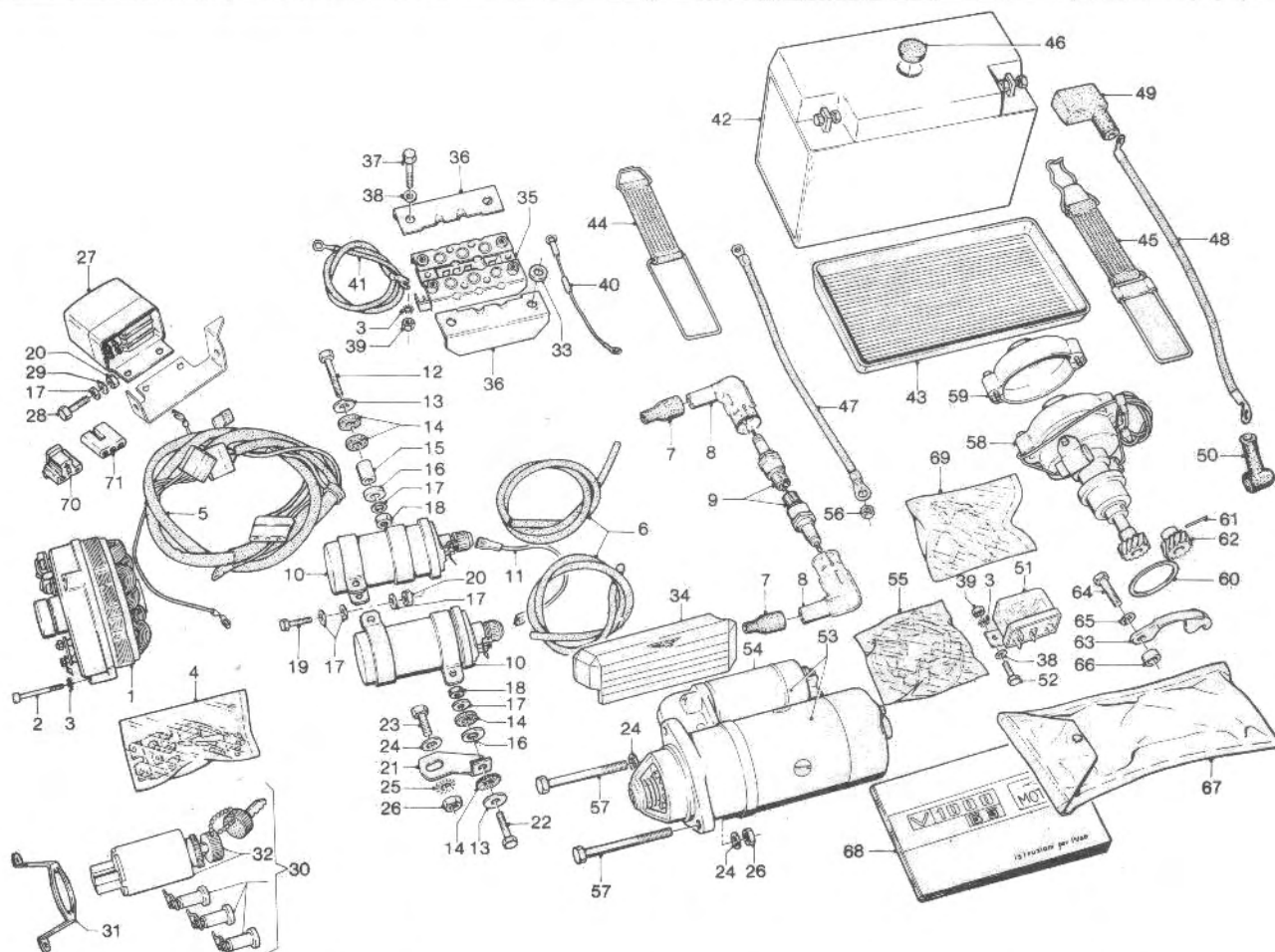
1000 G5

Tavola - Drawing
Table - Bild

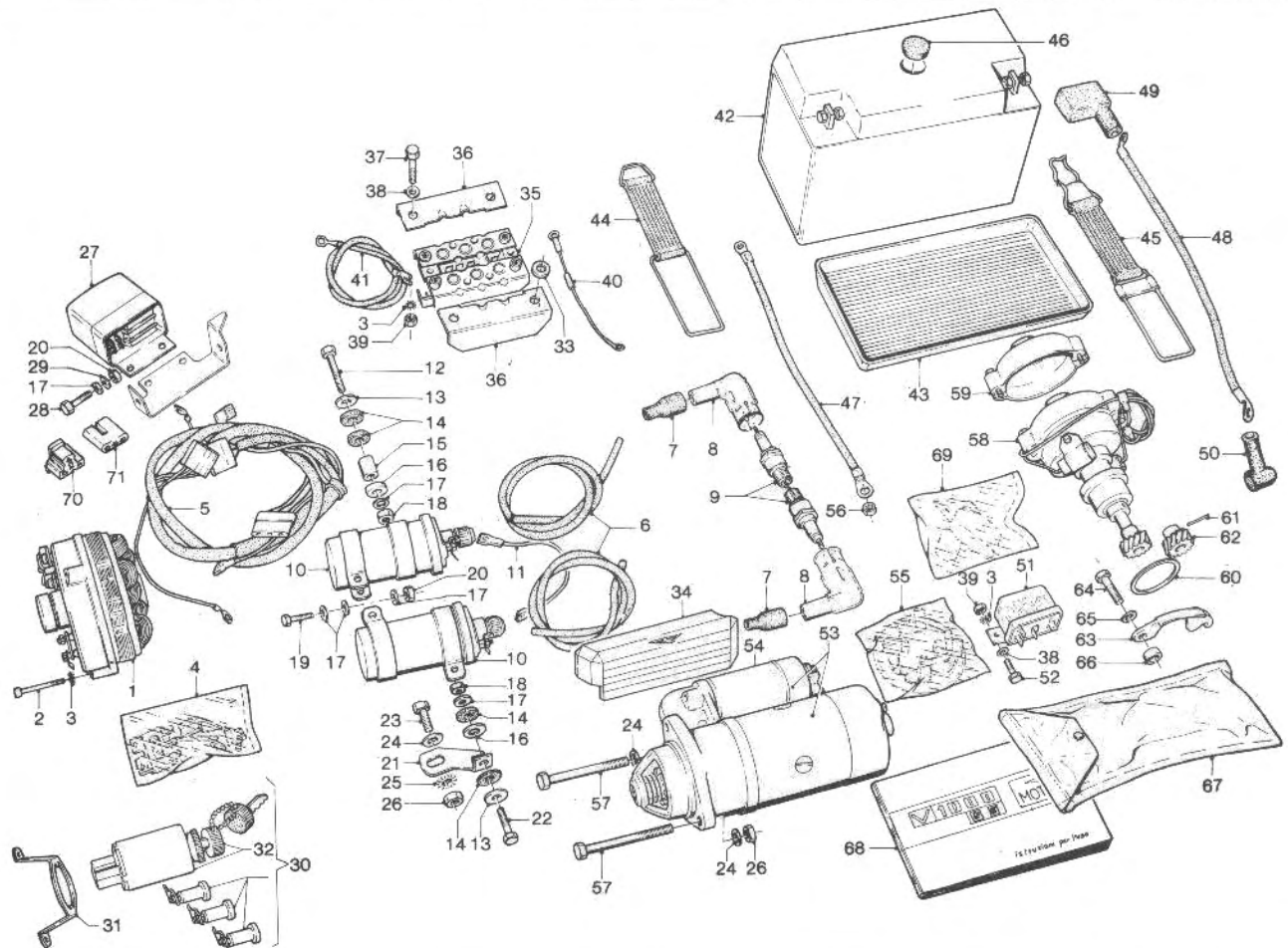
19

ACCENSIONE - DOTAZIONE
IGNITION - KITS
ALLUMAGE - KITS
ZÜNDUNG - REPARATURSATZ

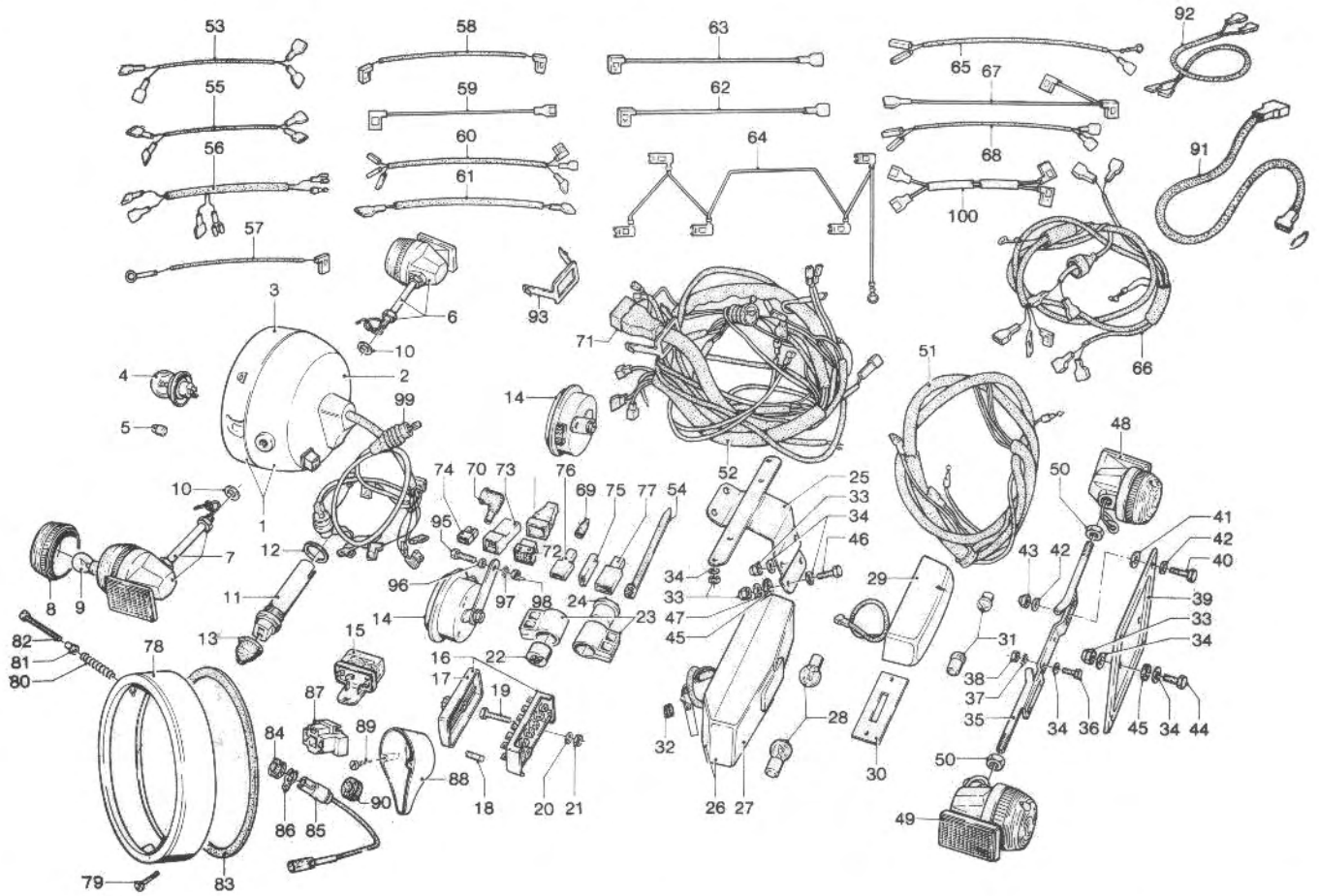
SEIMM
MOTO GUZZI



NOTE NOTES NOTES MARKE	POS. N.	N. COD. CODE No. No. CODE CODE Nr.	Q.tà Q.ty Q.té M.ge	DENOMINAZIONE	DESCRIPTION	DESIGNATION	BEZEICHNUNG
	30	18 73 68 01	1	Gruppo commut. accens.	Ignition switch, compl.	Contact. d'allum. com.	Zündschalter, kpl.
	31	18 73 64 01	1	Cavallotto	U-bolt	Etrier	Bügel schraube
	32	19 73 53 00	1	Commutatore con chiavi	Ign. switch with key	Cont. d'all. avec clé	Zündschalter mit Sch.
	33	95 10 00 59	2	Ranella anteriore	Washer	Rondelle	Scheibe
	34	19 73 33 50	1	Protezione per motorino	Guard	Protection	Schütz
	35	17 70 43 00	1	Raddrizzatore	Rectifier	Redresseur	Gleichrichter
	36	14 70 42 05	2	Coperchio raddrizz.	Cover	Couvercle	Deckel
	37	98 30 50 17	4	Vite	Screw	Vis	Schraube
	38	95 00 02 05	3	Rosetta	Washer	Rondelle	Scheibe
	39	92 60 22 05	7	Dado	Nut	Ecrou	Mutter
	40	17 74 85 00	1	Cavo massa radd. —	Earthing wire —	Câble de masse —	Massaleitung —
	41	17 74 78 50	1	Cavo + al raddrizz.	Wire +	Câble +	Kabel +
	42	14 70 45 05	1	Batteria	Battery	Batterie	Batterie
	43	14 70 70 00	1	Vaschetta per batteria	Battery holder	Plateau de batterie	Batterieplatte
	44	14 70 48 00	1	Staffa fiss. batt.	Flexible clamp	Collier élastique	Elast. Klammer
	45	14 70 55 00	1	Staffa fiss. batt.	Flexible clamp	Collier élastique	Elast. Klammer
	46	93 18 02 20	1	Tampone	Plug	Bouchon	Stopfen
	47	14 74 84 00	1	Cavo batt. — a massa	Earthing wire —	Câble de masse —	Massaleitung —
	48	17 74 79 50	1	Cavo batt. + al motor.	Wire +	Câble +	Kabel +
	49	25 70 67 00	1	Cappuccio morsetto	Dust cap	Pare-poussière	Staubkappe
	50	19 70 71 00	1	Cappuccio mors. mot.	Dust cap	Pare-poussière	Staubkappe
	51	12 73 25 00	1	Teleruttore	Relay	Relais	Relais
	52	98 05 42 14	2	Vite	Screw	Vis	Schraube
	53	14 73 07 06	1	Motor. avv. + interr.	Starter and switch	Démarrreur et interr.	Starter und Schalter
	54	14 73 05 58	1	Interruttore compl.	Switch, compl.	Interrupteur compl.	Schalter, kpl.
	55	14 73 05 70	1	Gruppo rev. mot. avv.	Starter kit	Kit de démarrage	Starter Rep.-Satz
	56	92 63 01 08	2	Dado con nylon fiss. cavo	Nut	Ecrou	Mutter
	57	98 05 24 85	2	Vite fiss. mot.	Screw	Vis	Schraube
	58	17 71 54 50	1	Doppio rutt. con antic.	Distributor with regul.	Distributeur avec régul.	Zündverteiler mit Verst.
	59	14 71 54 20	1	Coperchio	Cover	Tête de distributeur	Verteilerkappe
	60	14 71 64 00	1	Guarnizione	Seal ring	Joint	Dichtring
	61	95 51 03 18	1	Spina	Pin	Goupille	Stift
	62	14 71 62 00	1	Ingranaggio comando	Helical gear wheel	Roue hélicoïdale	Schraubenrad
	63	14 71 57 00	1	Piastrina	Fastener	Arrêtoir	Halter
	64	98 05 24 30	2	Vite	Screw	Vis	Schraube
	65	95 12 00 85	2	Rosetta elastica	Spring washer	Rondelle élastique	Federring



NOTE NOTES NOTES MARKE	POS. N.	N. COD. CODE No. No. CODE CODE Nr.	Q.tà Q.ty Q.té M.ge	DENOMINAZIONE	DESCRIPTION	DESIGNATION	BEZEICHNUNG
	66	91 18 09 07	2	Distanziale	Spacer	Entretoise	Distanzbüchse
	67	17 92 99 00	1	Dotazione completa	Tool bag compl.	Trousse complète	Werkzeugtasche, kpl.
	68	18 90 00 00	1	Libretto istruz. (I)	Rider's handbook (I)	Manuel d'entretien (I)	Betriebsanleitung (I)
	68	18 90 00 01	1	Libretto istruz. (GB)	Rider's handbook (GB)	Manuel d'entret. (GB)	Betriebsanleitung (GB)
	69	14 71 98 00	1	Gruppo revis. dop. rut.	Distributor kit	Kit de distributeur	Zündverteiler - Rep.-Satz
	70	61 71 25 00	1	Connettore innesti	Connection	Branchement	Steckdose
	71	61 71 26 00	1	Connettore	Connection	Branchement	Steckdose



NOTE NOTES NOTES NOTES MARKE	POS. N.	N. COD. CODE No. No. CODE CODE Nr.	Q.tà Q.ty Q.té M.ge	DENOMINAZIONE	DESCRIPTION	DESIGNATION	BEZEICHNUNG
	1	18 74 05 50	1	Faro anter. compl.	Headlight, compl.	Projecteur AV, compl.	Vord. Scheinwerfer, kpl.
	2	18 74 04 58	1	Calotta completa	Body, compl.	Boîtier compl.	Scheinw. gehäuse, kpl.
	3	17 74 04 59	1	Gruppo ottico compl.	Headlamp - insert.	Optique de phare	Scheinwerfereinsatz
	4	93 45 02 31	1	Lampada a sfera	Bulb	Ampoule	Glühlampe
	5	93 45 01 19	1	Lampada a bulbo	Bulb	Ampoule	Glühlampe
	6	18 75 06 54	1	Indicatore ant. dx.	R.H. front indicator	Clignotant AV D	Vorderblinker R. kpl.
	7	18 75 06 55	1	Indicatore ant. sx.	L.H. front indicator	Clignotant AV G	Vorderblinker L. kpl.
	8	14 75 37 50	4	Coppa	Protection cap	Couvercle de clign.	Blinkfenster
	9	93 45 01 29	4	Lampada	Lamp	Ampoule	Glühlampe
	10	95 00 42 10	2	Rosetta	Washer	Rondelle	Scheibe
	11	18 10 30 50	1	Segnalatore di livello	Fuel gauge	Jauge à essence	Kraftstoffanzeige
	12	90 71 42 87	1	Guarnizione	Gasket	Joint	Dichtung
	13	18 10 31 50	1	Cappuccio	Cap	Capuchon	Schutzkappe
	14	14 74 37 00	1	Trombe abbinata	Twin horn	Avertisseurs jumelés	Zwillingsignalhorn
	14	14 74 37 01	1				
	15	12 70 85 41	1	Teleruttore lampeggio	Flash relay	Relais d' appel phare	Lichthyperrelais
	16	17 74 30 00	1	Morsettiere fusibili	Fuse box	Boîte à fusibles	Sicherungsdose
	17	17 74 31 00	1	Coperchio	Cover	Couvercle	Deckel
	18	17 74 25 50	6	Fusibili (16 A)	Fuses (16 A)	Fusibles (16 A)	Schmelzeinsatz (16 A)
	19	98 20 25 30	2	Vite	Screw	Vis	Schraube
	20	95 00 02 05	2	Rosetta	Washer	Rondelle	Scheibe
	21	92 63 01 05	2	Dado	Nut	Ecrou	Mutter
	22	18 75 94 50	1	Bobina intermittenza	Intermittence coil	Bobine d'intermittence	Intermittenzspule
	23	17 75 12 00	2	Sostegno	Bracket	Etrier	Stütze
	24	17 75 05 20	2	Intermitt. lampegg.	Intermittence	Intermittence	Intermittenz
	25	18 75 85 51	1	Piastra fanalini	Plate	Plaque	Platte
	26	18 74 09 50	1	Fanalino post. e stop	Tail and stop light com.	Lanterne AR - feu stop	Rück- und Stoplicht, kpl.
	27	18 75 37 50	1	Frontale e catadiottro	Catadioptré	Catadioptré	Rückstrahler
	28	93 45 02 23	2	Lamp. fanal. post. stop	Tail light lamp	Ampoule de lant. AR	Rücklichtglühlampe
	29	18 74 52 50	1	Fanalino targa	Numberplate light	Eclaireur plaque de pol.	Kennzeichenleuchte
	30	18 74 17 50	1	Trasparente	Protection cap	Couvercle transp.	Lichtfenster
	31	93 45 01 23	2	Lampada per targa	Numberplate lamp	Amp. de plaque de pol.	Kennzeichenglühlampe
	32	91 55 11 02	1	Anello passacavo	Rubber grommet	Guide câble	Gummitülle
	33	92 63 01 06	9	Dado autobloccante	Self-locking nut	Ecrou à autoblocage	Hutmutter
	34	95 00 02 06	13	Rosetta piana	Washer	Rondelle	Scheibe
	35	18 75 35 51	1	Porta targa e lampegg.	Indic. and num. pl. hold.	Supp. clign. et pl. pol.	Blinker u. Kenne. Halter

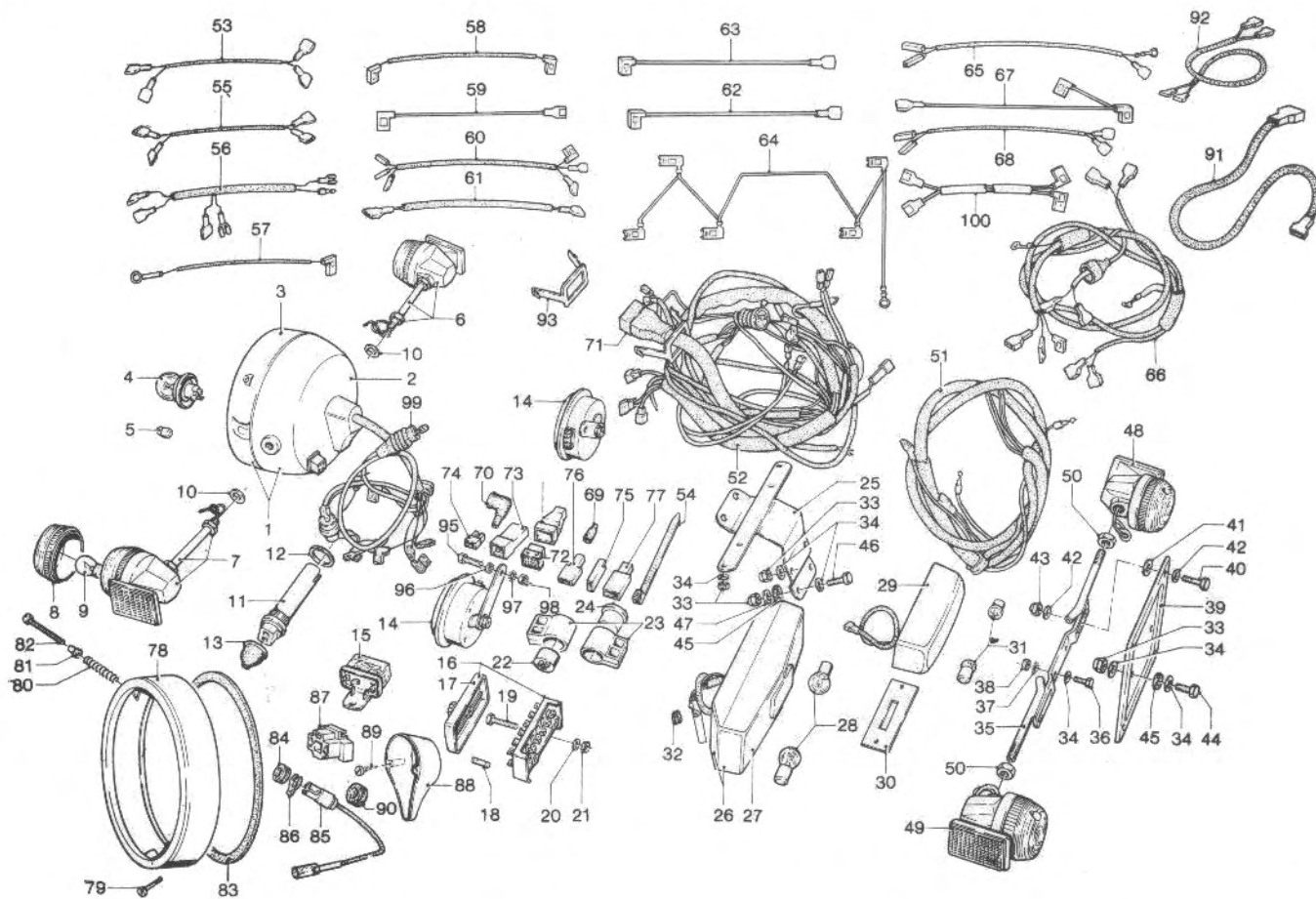
1000 G5

Tavola - Drawing
Table - Bild

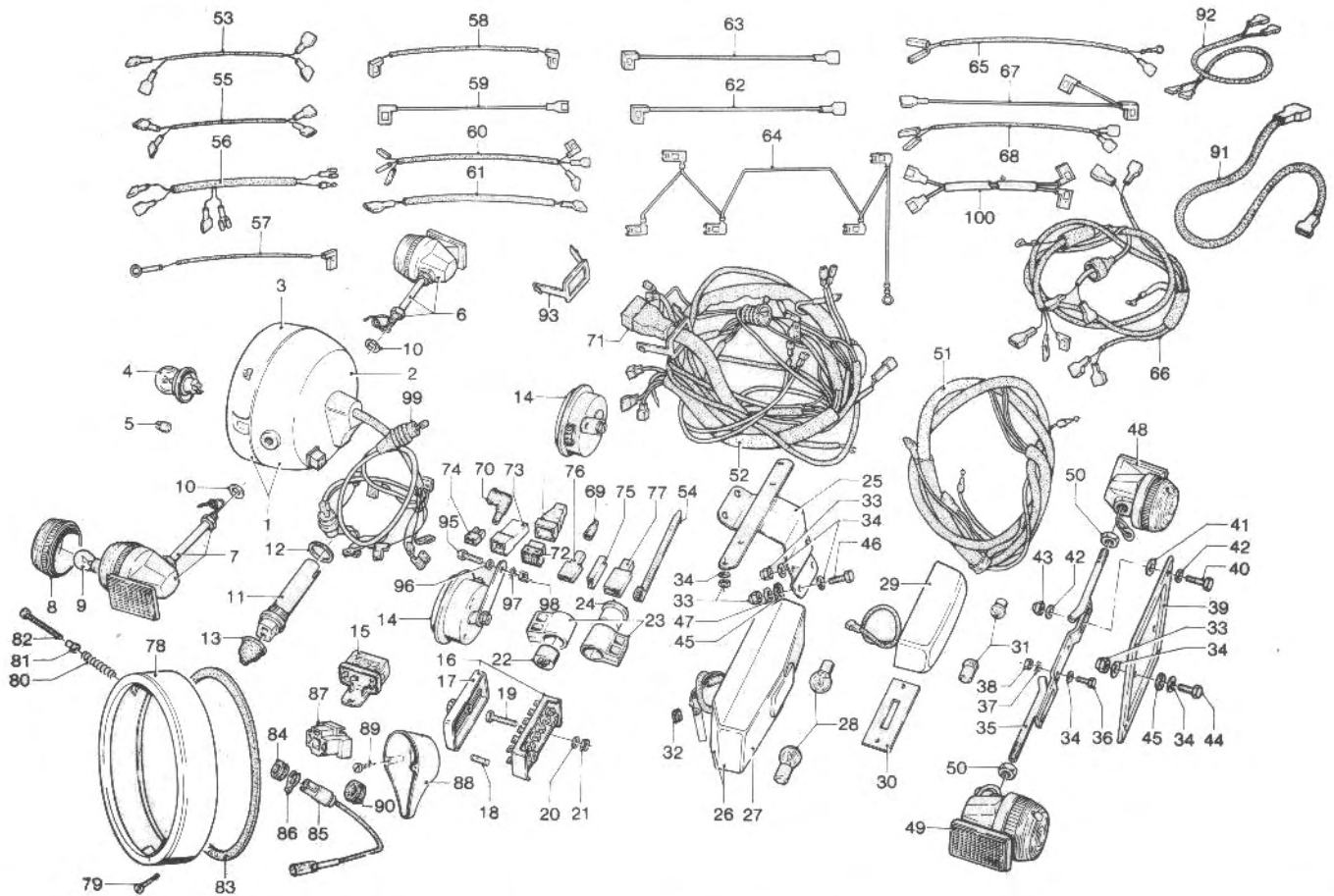
20

ILLUMINAZIONE - ACUSTICO
LIGHTING - HORN
SIGNAL LUMINEUX - AVERTISS.
BELEUCHTUNG - HUPE

SEIMM
MOTO GUZZI

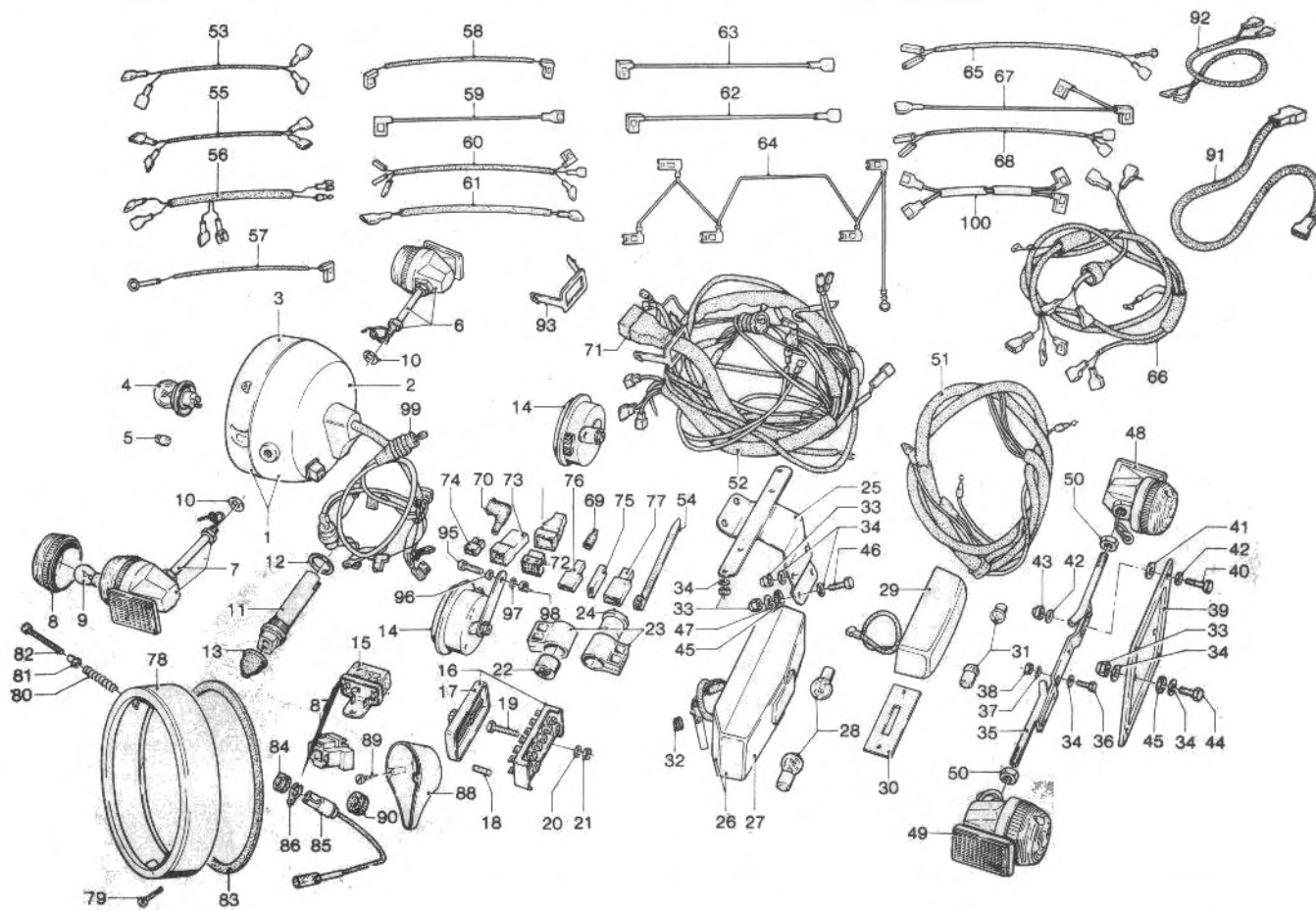


NOTE NOTES NOTES MARKE	POS. N.	N. COD. CODE No. No. CODE CODE Nr.	Q.tà Q.ty Q.té M.ge	DENOMINAZIONE	DESCRIPTION	DESIGNATION	BEZEICHNUNG
	36	98 05 43 12	2	Vite	Screw	Vis	Schraube
	37	95 02 11 06	2	Rosetta dentellata	Tooth washer	Rondelle dentée	Zahnscheibe
	38	92 60 22 06	2	Dado	Nut	Ecrou	Mutter
	39	10 47 46 00	1	Piastra portatarga	Plate	Plaque	Platte
	40	98 05 42 16	2	Vite	Screw	Vis	Schraube
	41	95 10 01 25	2	Rosetta	Washer	Rondelle	Scheibe
	42	95 00 02 05	2	Rosetta	Washer	Rondelle	Scheibe
	43	92 63 01 05	2	Dado autobloccante	Self-locking nut	Ecrou à autoblocage	Hutmutter
	44	98 05 43 14	1	Vite	Screw	Vis	Schraube
	45	93 11 00 60	9	Elemento elastico	Rubber spacer	Anneau en caoutch.	Gummipuffer
	46	98 06 43 16	4	Vite	Screw	Vis	Schraube
	47	95 10 01 41	4	Rosetta	Washer	Rondelle	Scheibe
	48	18 75 16 50	1	Indicat. post. dx.	R.H. rear indicator	Clignotant AR D	Hinterblinker R.
	49	18 75 16 51	1	Indicat. post. sx.	L.H. rear indicator	Clignotant AR G	Hinterblinker L.
	50	92 60 24 11	2	Dado	Nut	Ecrou	Mutter
	51	17 75 31 40	1	Cavo lampegg. post.	Rear indicator cable	Fil de clignotant AR	Hinterblinkerteilung
	52	17 74 71 50	1	Gruppo cavi compl.	Cable set compl.	Faisceau complet	Kabelbau
	53	18 75 69 50	1	Cavi trombe	Horns cable	Fil des avvertisseurs	Signalhornleitung
	54	14 60 96 50	24	Fascetta	Clamp	Collier	Kabelband
	55	17 74 80 50	1	Cavi da int. frizione a teleruttore	Cable from clutch switch to relay	Fil d'interrupteur embrayage au relais	Leitung von Kupplungsschalter zu Relais
	56	18 74 76 50	1	Cavi da valv. a conn. e fanalino poster. e fanalino poster.	Cable from fusebox to conn. and tail light	Fil de boîte fus. à conn. et lanterne AR	Leitung von Sicherungsd. zu Anschluss u. Rücklicht
	57	18 75 95 50	1	Cavo massa interr. spia pos. app. laterale	Earthing wire for side stand pilot light switch	Fil de masse d'interr. témoin bequille latér.	Massebandf. Anzeigelicht Schalter des Seiteständer
	58	18 75 92 50	1	Cavo da intermittenza a cruscotto	Intermittence-Instrum. panel cable	Fil de centrale clignot. à tableau de bord	Leitung von Intermittenz zu Instrumentbrett
	59	17 75 56 40	1	Cavo spia folle a spia pressione olio	Cable from idle-light to oil pressure lamp	Fil de témoin point mort à tém. press. huile	Leitung von Leerlauf-anz. zu Öldrucklicht
	60	18 75 54 51	1	Cavi per disp. inserim. bobine	Cable for coil apply device	Fil pour dispositif fonctionn. bobines	Leitung für Zündspulevorrichtung
	61	17 75 72 40	1	Cavo da raddrizz. (+) a fusibile N. 5	Cable from rectifier (+) to No. 5 fuse	Fil de redresseur (+) à fusible Nr. 5	Leitung von Gleichrichter (+) zu Schmelzeins. Nr. 5
	62	17 75 76 40	1	Cavo (rosa) in crusc. per lampegg. dx	R.H. indicator cable (pink) in instr. panel	Fil (rose) de tableau de bord pour clign. D	Leitung (rose) im Inst.brett für Blinker, R.
	63	17 75 77 40	1	Cavo (verde-nero) in crusc. per lampegg. sx.	L.H. indicator cable (green-black) in inst. p.	Fil (vert-noir) de tabl. de b. pour clign. G	Leitung (grün-schwarz) im Inst.brett für Blinker, L.



NOTE NOTES MARKE	POS. N.	N. COD. CODE No. No. CODE CODE Nr.	Q.tà Q.ty Q.té M.ge	DENOMINAZIONE	DESCRIPTION	DESIGNATION	BEZEICHNUNG
	64	17 75 74 40	1	Cavo massa spia luci lampegg.-parch.-strum.	Earthing cable for indic. park. instr. lights	Fil de masse pour tém. clign. park. comb.	Massband für Blinkeranz. Parkinganz. und Instr.licht
	65	17 75 78 40	1	Cavi da luce cort. a interruttore cruscotto	Cable from panel light to panel switch	Fil d'éclairage tableau à interr. de tableau	Leitung von Instr.brettlicht zu Instr.brettschalter
	66	18 75 97 50	1	Cavi colleg. ind. liv. - elettr. - luce cortesia	Cable for fuel gauge - electr. - panel light	Fil de jauge - électr. éclairage de tableau	Leitung für Kraftstoffanz. - Elekt. - Instr.brettlicht
	67	18 75 98 50	1	Cavo spia press. olio a spia liv. freni - liv. benzina	Cable from oil press. lamp to brake level - fuel gauge	Fil de témoin de press. huile à niveau de frein-jauge	Leitung von Öldruckl. zu Bremsniveau - Kraftstoffanzeige
	68	17 74 73 50	1	Cavi conness. a 2 vie a valv. e fanal. post.	Cable for fuse box conn. and tail light	Fil de connex. boîte de fusibles - lanterne AR	Leitung für Sicherdose-anschluss u. Rücklicht
	69	13 76 82 00	2	Cappuccio	Protective cap	Capuchon	Schutzkappe
	70	12 73 51 00	1	Cappuccio	Protective cap	Capuchon	Schutzkappe
	71	17 75 60 00	1	Cappuccio	Protective cap	Capuchon	Schutzkappe
	72	17 75 61 00	1	Connettore	Connection	Branchement	Steckdose
	73	17 74 88 50	1	Blocchetto	Cable connector	Bague de liaison	Kabelverbinder
	74	17 74 89 50	1	Blocchetto	Cable connector	Bague de liaison	Kabelverbinder
	75	93 40 09 62	2	Innesto faston	Faston joint	Connexion "Faston"	"Faston" Anschluss
	76	93 40 08 63	1	Faston maschio	Faston joint	Connexion "Faston"	"Faston" Anschluss
	77	93 40 09 63	2	Connettore	Connection	Branchement	Steckdose
	78	17 74 04 60	1	Ghiera	Ring nut	Embout	Haltering
	79	17 74 03 02	1	Vite	Screw	Vis	Schraube
	80	17 74 03 50	3	Molla	Spring	Ressort	Feder
	81	17 74 03 51	3	Tubeito distanziale	Spacer	Entretoise	Distanzbüchse
	82	17 74 03 52	3	Vite	Screw	Vis	Schraube
	83	17 74 04 61	1	Guarnizione	Gasket	Joint	Dichtung
	84	17 74 03 09	1	Passacavo Ø 13	Rubber grommet Ø 13	Douille en caoutch. Ø 13	Gummitülle Ø 13
	85	17 74 04 05	1	Portalamпада con cavo	Socket	Douille d'ampoule	Lampenfassung
	86	17 74 03 10	1	Linguetta di massa	Contact	Contact	Kontaktstück
	87	17 74 04 01	1	Zoccolo	Socket	Douille	Anschluss-stecker
	88	17 74 04 04	1	Tappo per calotta	Cap	Couvercle	Schutzdeckel
	89	17 74 03 08	2	Vite autofilettante	Lenshead screw	Vis parker	Blechschraube
	90	17 74 03 27	1	Passacavo Ø 7	Rubber grommet Ø 7	Douille en caoutch. Ø 7	Gummitülle Ø 7
	91	18 74 72 01	1	Prolunga gr. cavi e comm.	Cable set extension	Rallonge gr. câbles	Kabelsatz Verlängerung
	92	18 76 14 01	1	Gruppo cavi dal cruscotto a contagiri	Cable set from instr. panel to rev. counter	Groupe câbles de tableau de bord à compte-tours	Kabelsatz von Instr.brett zu Drehzahlmesser
	93	62 74 29 00	1	Attacco di sicurezza	Safety coupling	Attache de sûreté	Sicherheitsverbindung

1000 G5Tavola - Drawing
Table - Bild **20**ILLUMINAZIONE - ACUSTICO
LIGHTING - HORN
SIGNAL LUMINEUX - AVERTISS.
BELEUCHTUNG - HUPESEIMM

MOTO GUZZI

NOTE NOTES NOTES MARKE	POS. N.	N. COD. CODE No. No. CODE CODE Nr.	Q.tà Q.ty Q.té M.ge	DENOMINAZIONE	DESCRIPTION	DESIGNATION	BEZEICHNUNG
	94	17 75 57 00	1	Cappuccio	Cap	Capuchon	Kappe
	95	98 05 44 25	1	Vite	Screw	Vis	Schraube
	96	95 00 02 08	1	Ranella piana	Washer	Rondelle	Scheibe
	97	95 02 11 08	1	Ranella dentellata	Tooth washer	Rondelle dentée	Zahnscheibe
	98	92 60 22 08	1	Dado	Nut	Ecrou	Mutter
	99	17 75 53 00	2	Gommino per portalamp.	Rubber.	Caoutchouc	Gummistück
	100	18 72 01 50	1	Gruppo cavi coll. inter.	Cable set	Groupe câbles	Kabelsatz